

TWO PARTS

issue 5

Christo Logan

Brooklyn, New York

<http://two.parts>

two.parts@two.parts

@christo_logan

+1 [323] 332 1233

18

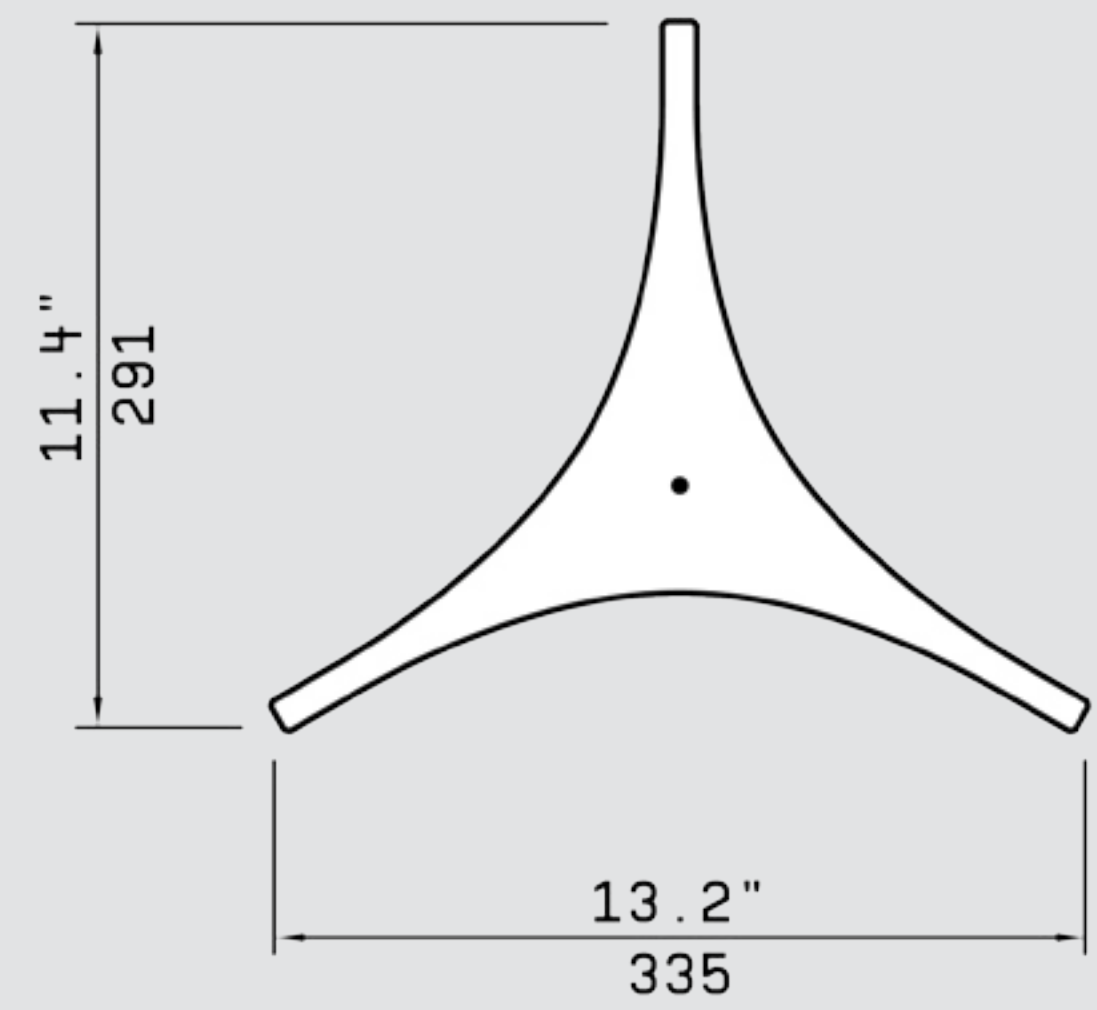
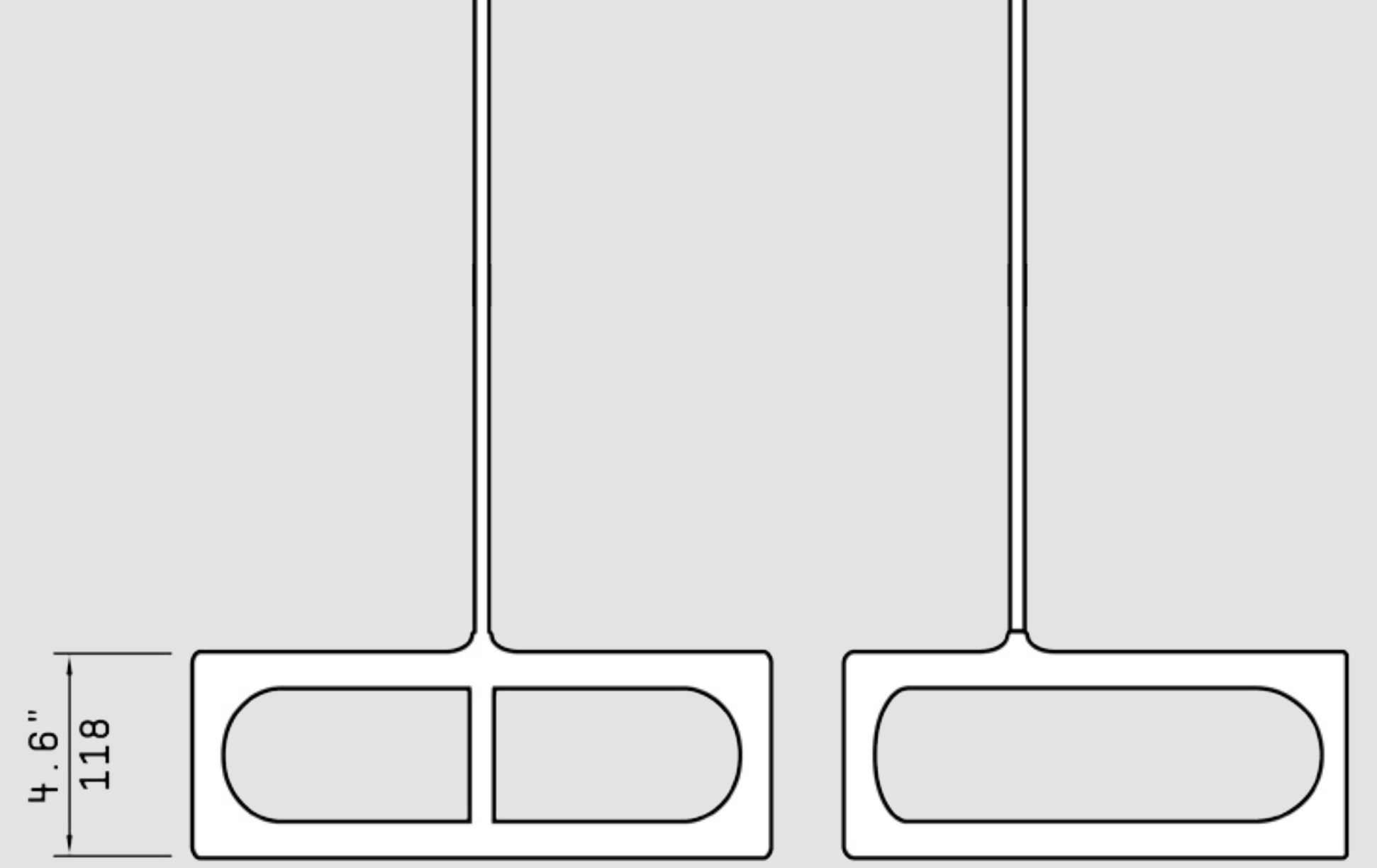
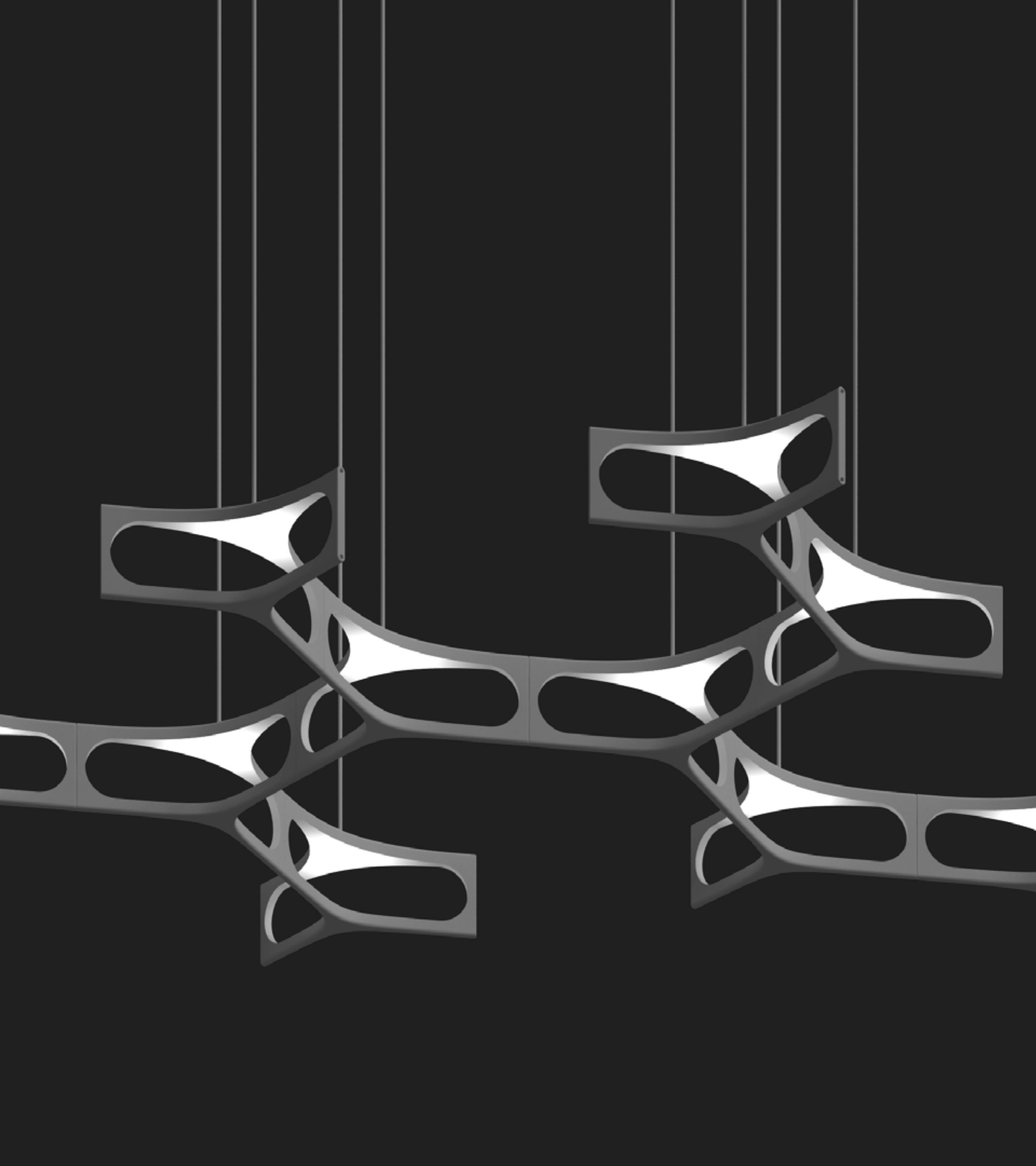
Ar

2
8
8

Argon

39.948





two.parts/argon

74

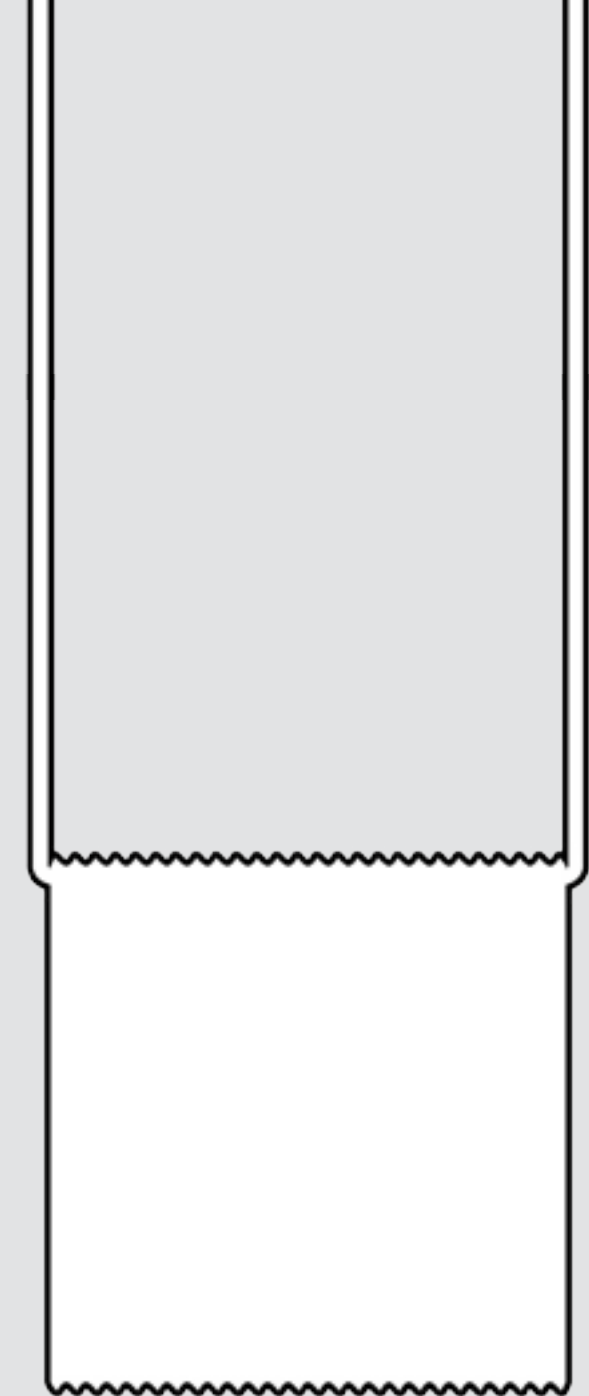
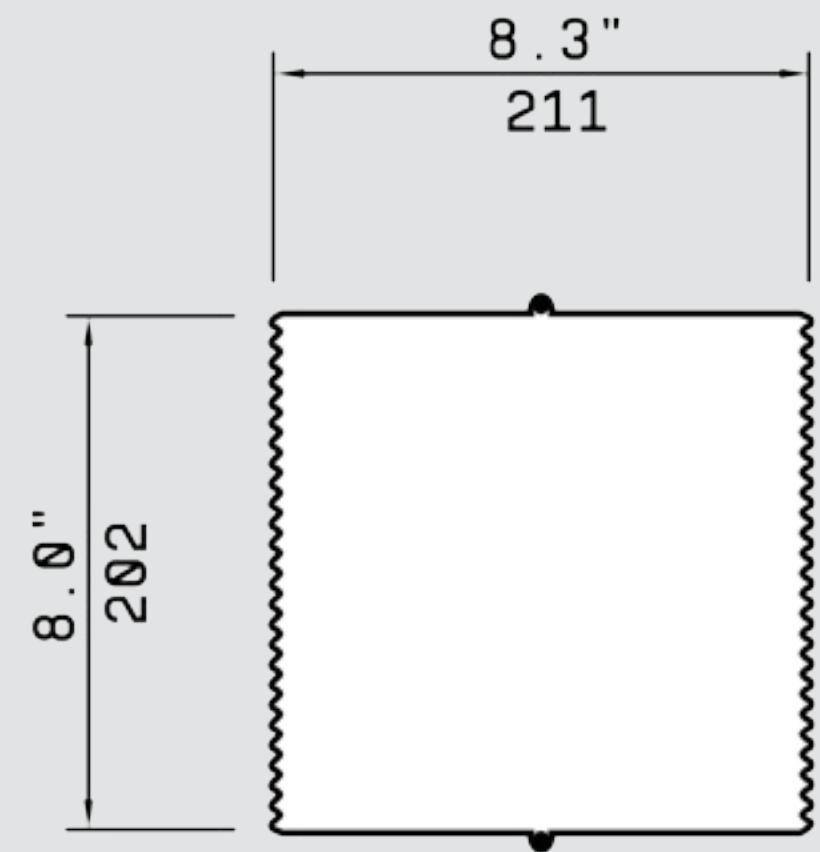
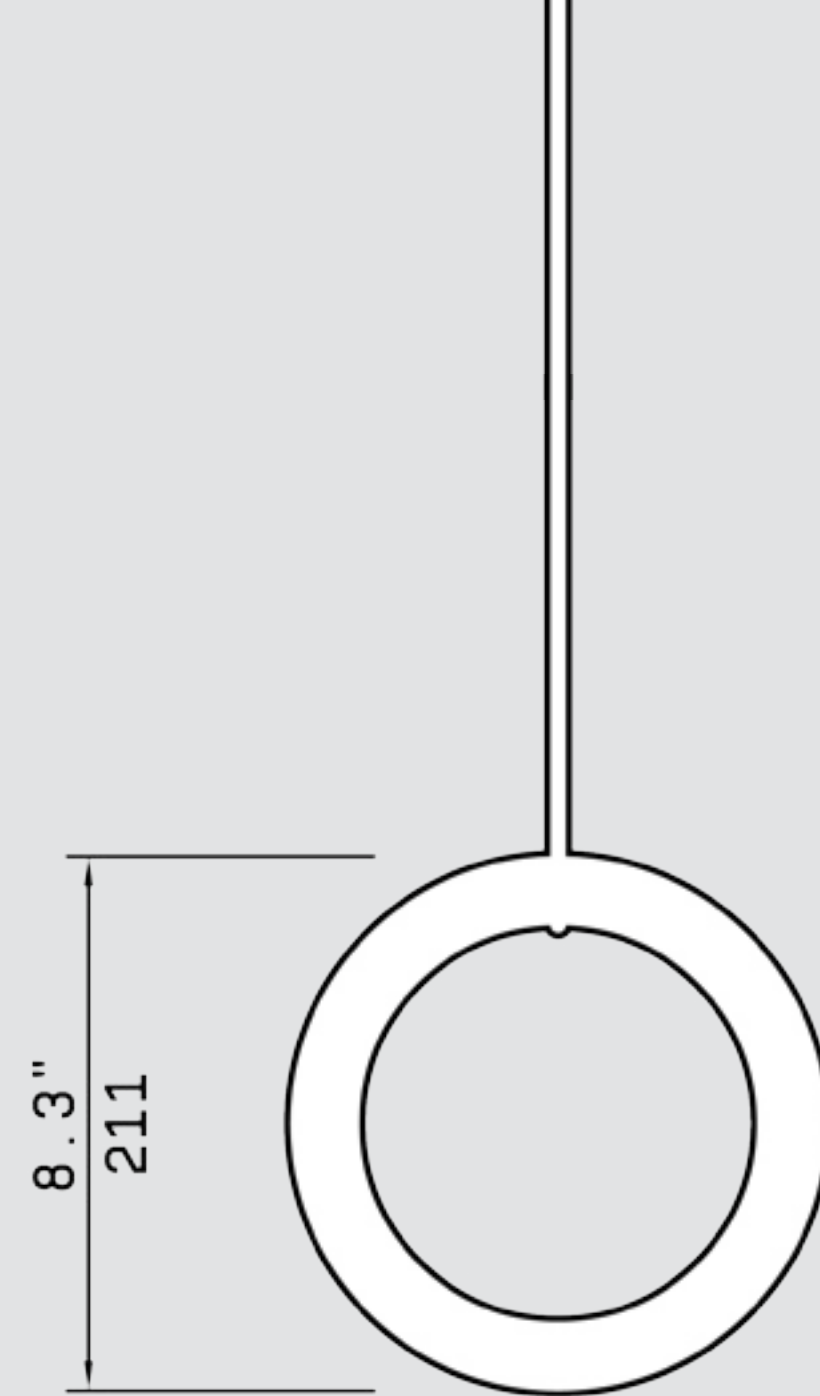
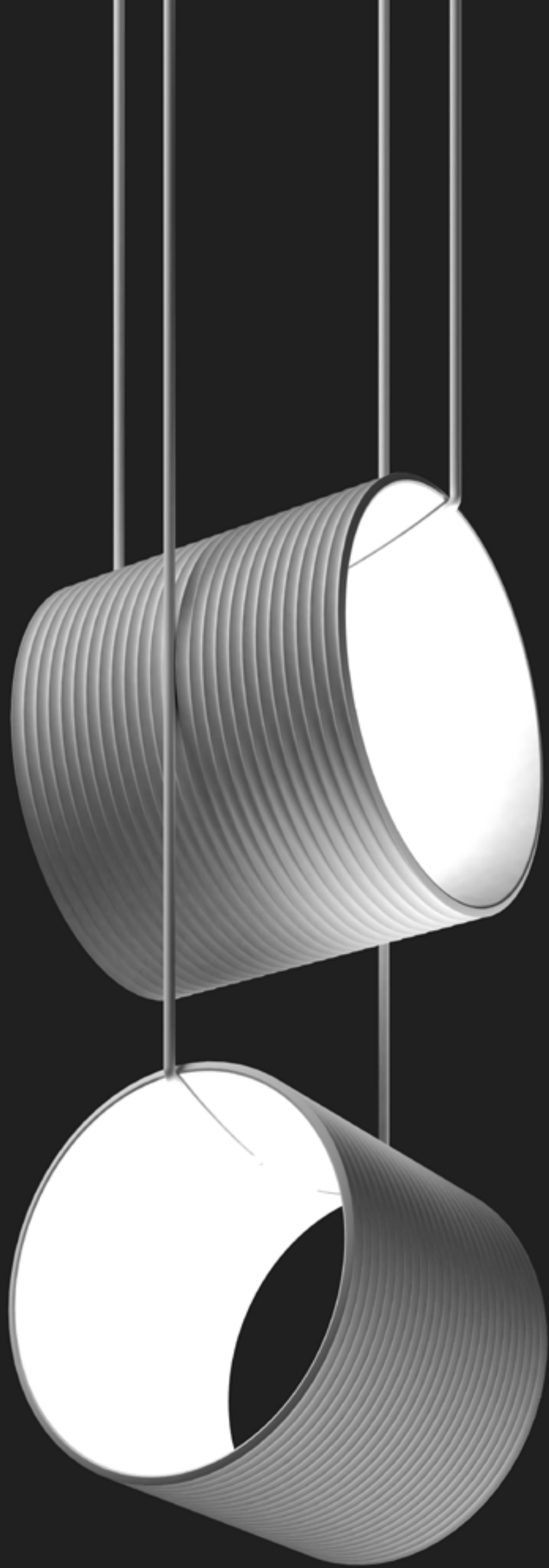
W

Tungsten

183.84

2
8
18
32
12
2





two . parts / tungsten

15

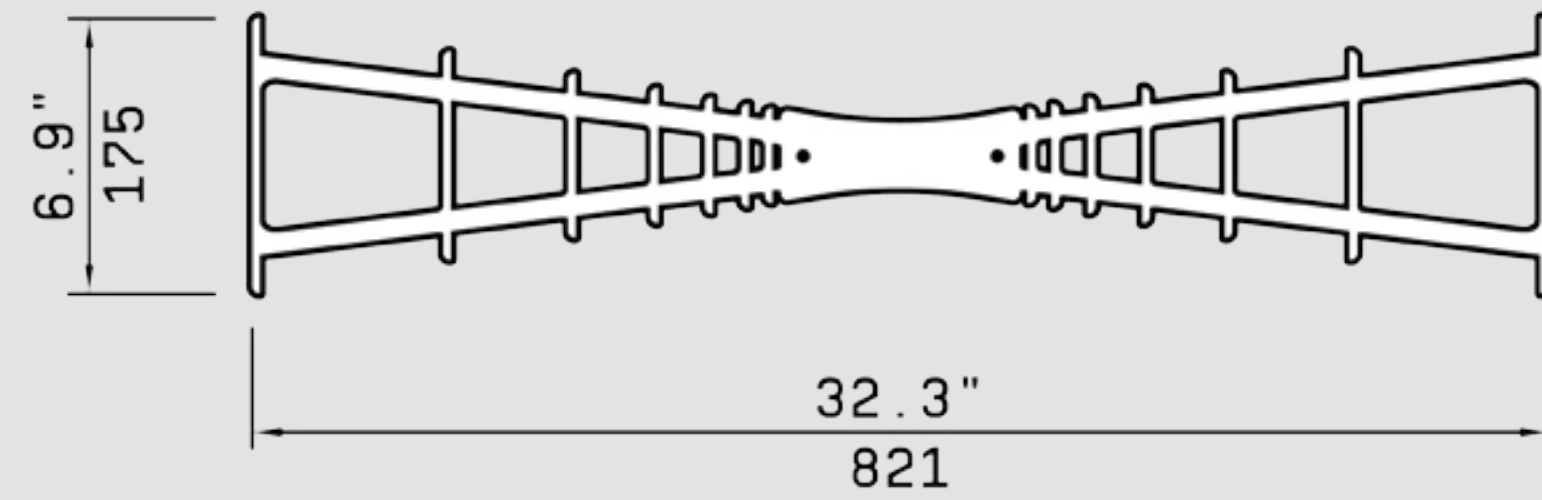
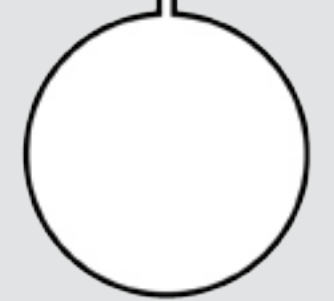
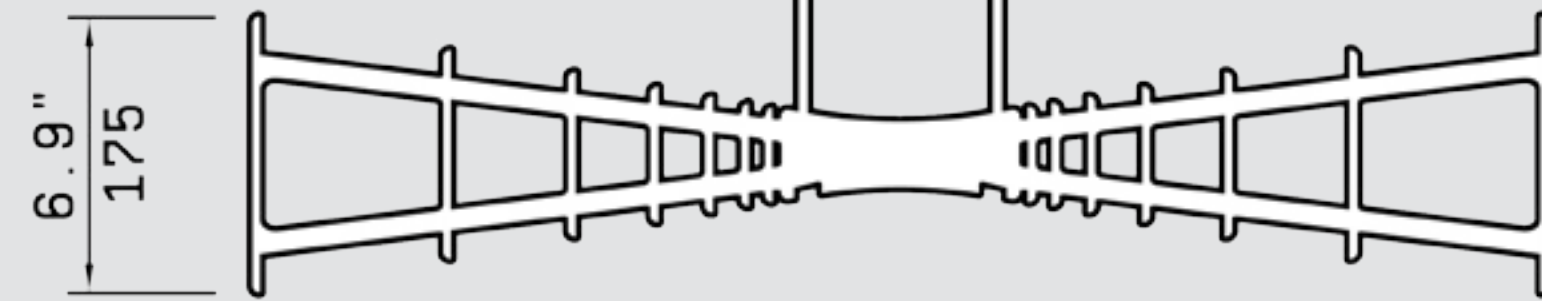
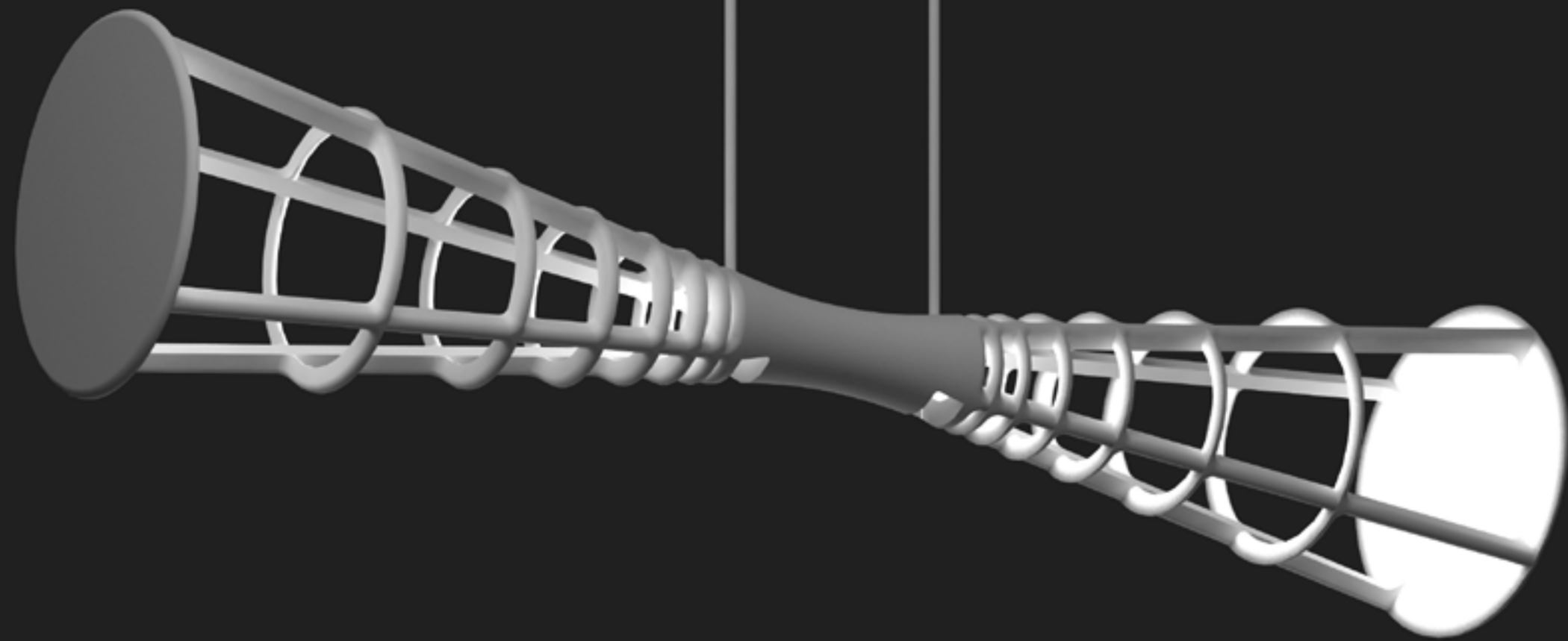
P

285

Phosphorus

30.973





two.parts/phosphorus

7

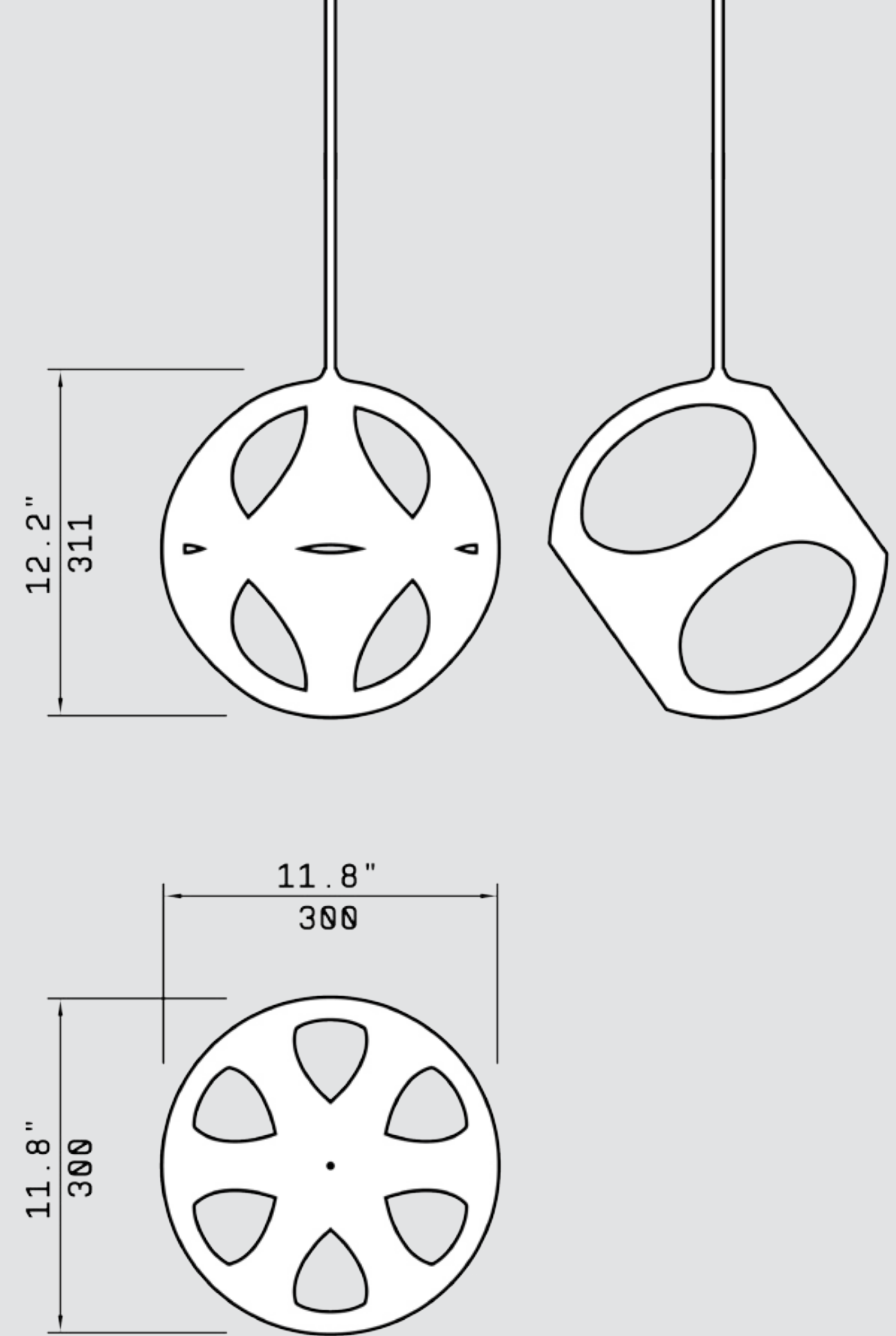
2
5

N

Nitrogen

14.007



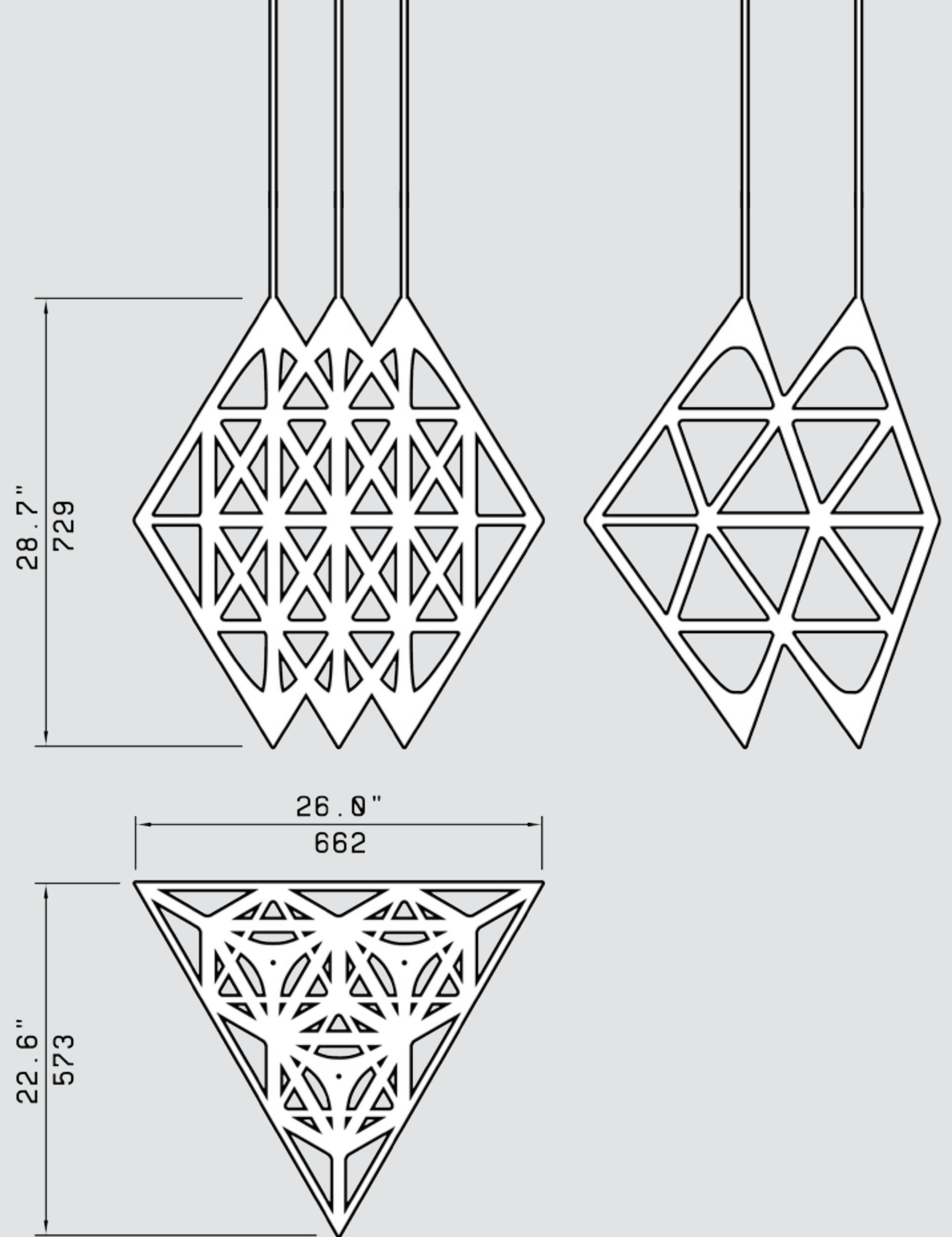
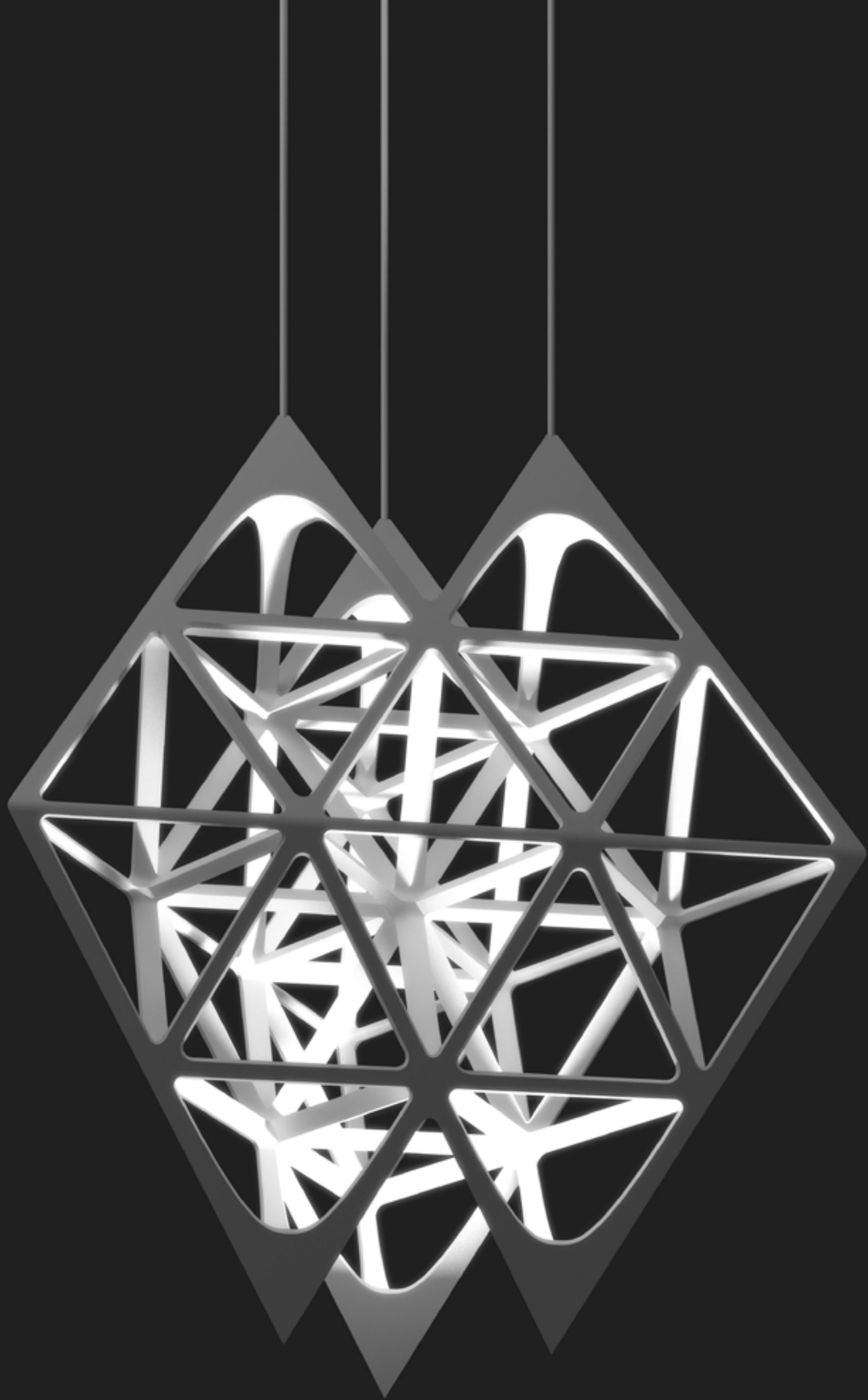


two.parts/nitrogen

34
Se
Selenium
78.971

2
8
18
6





two.parts/selenium

31

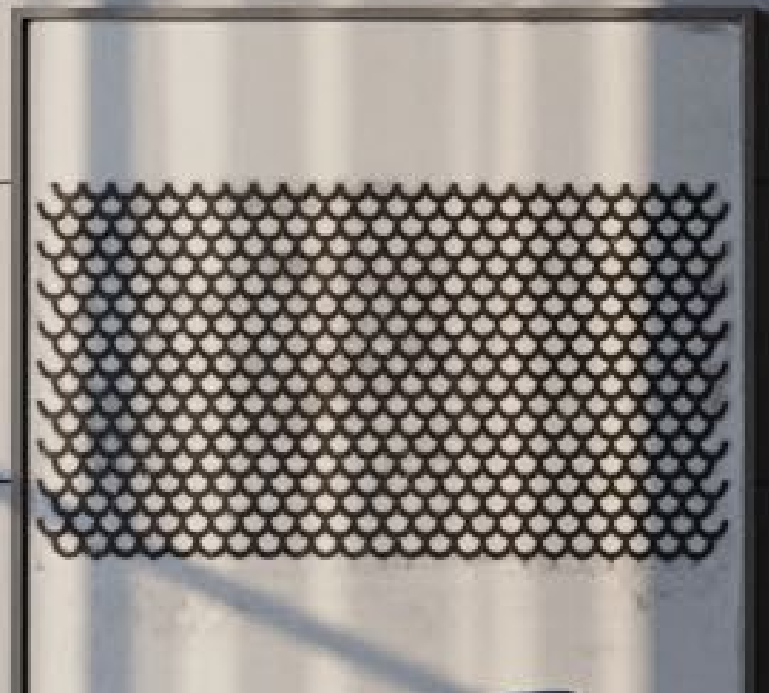
Ga

2
8
18
3

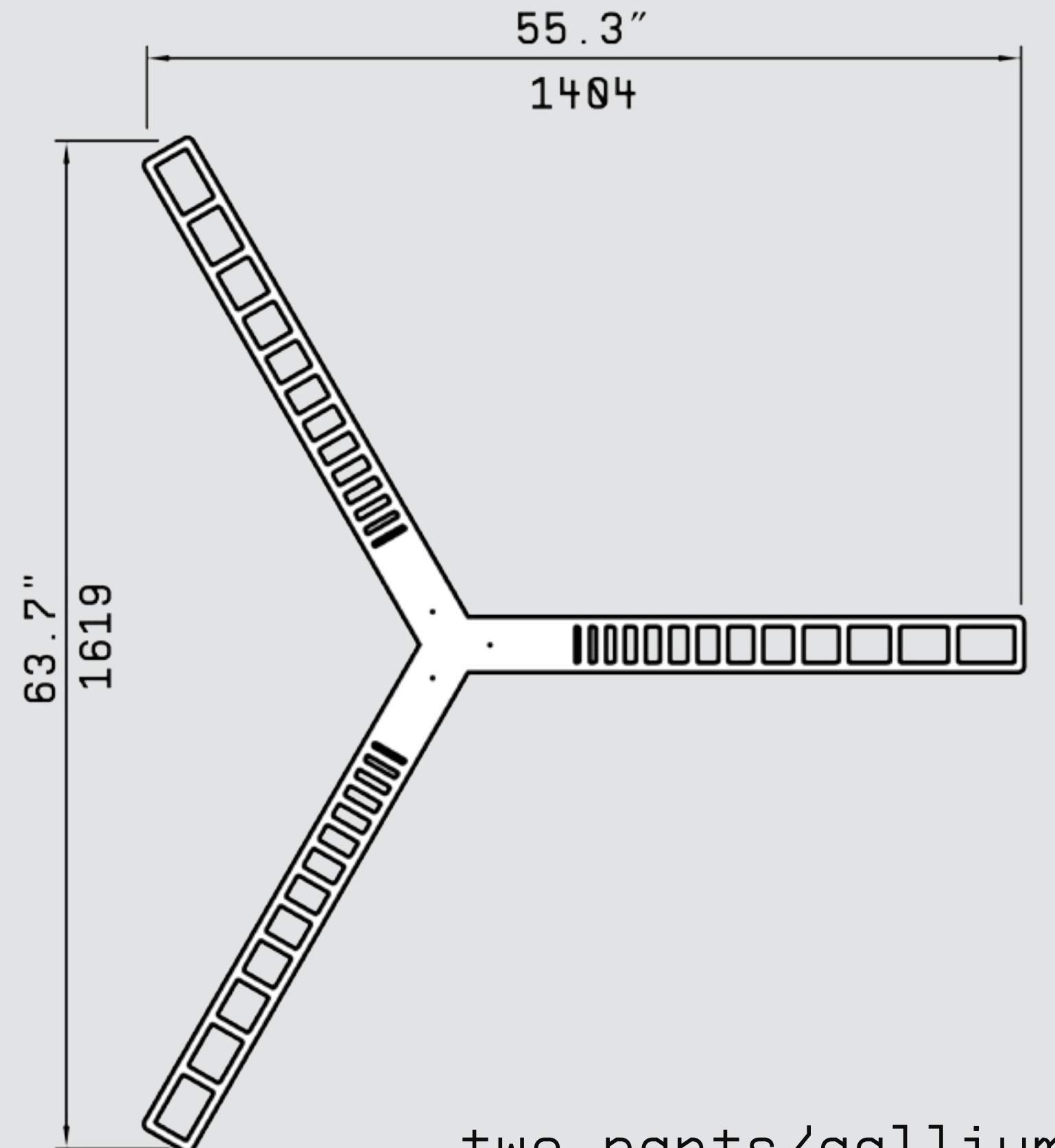
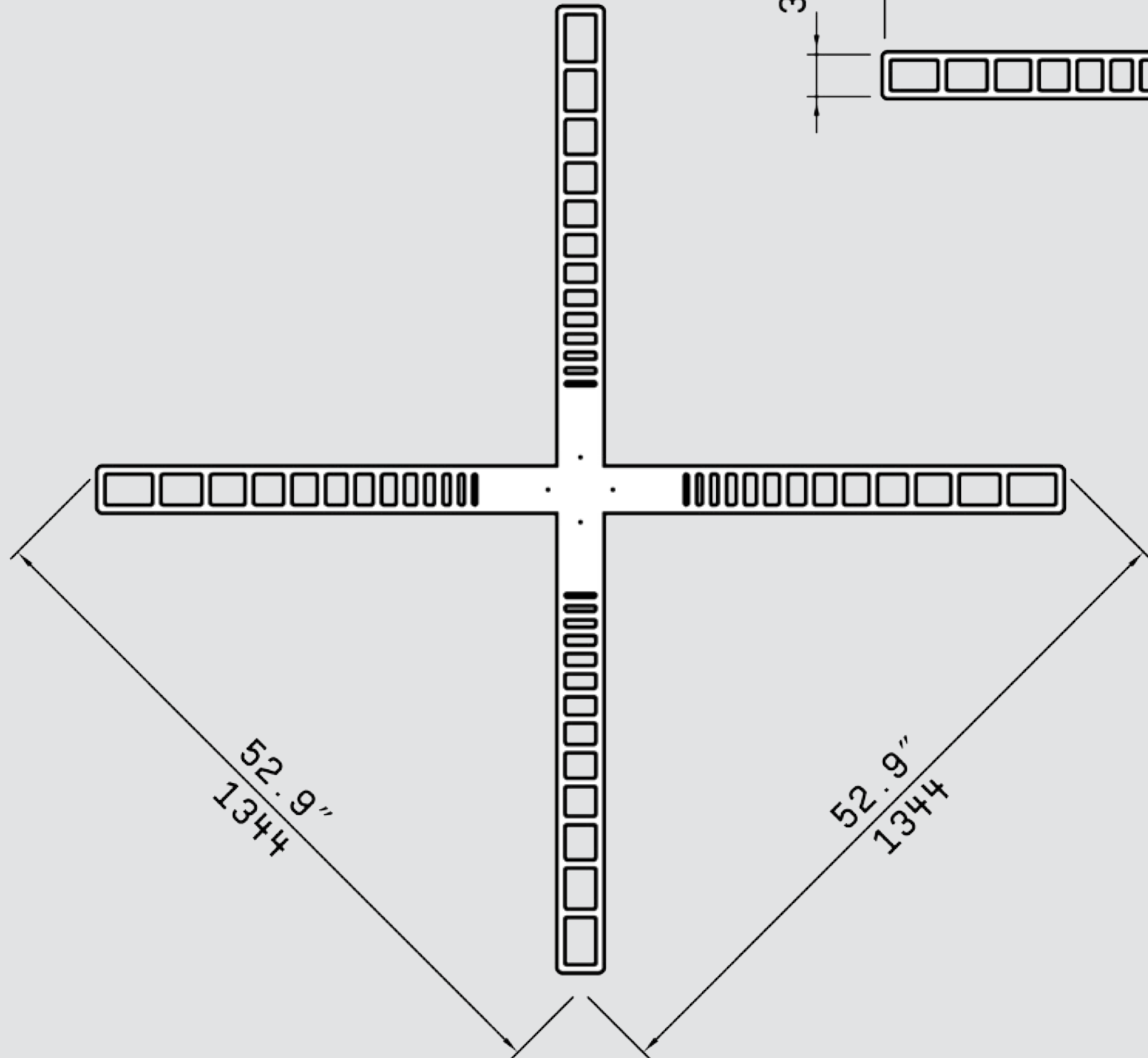
Gallium

69.723

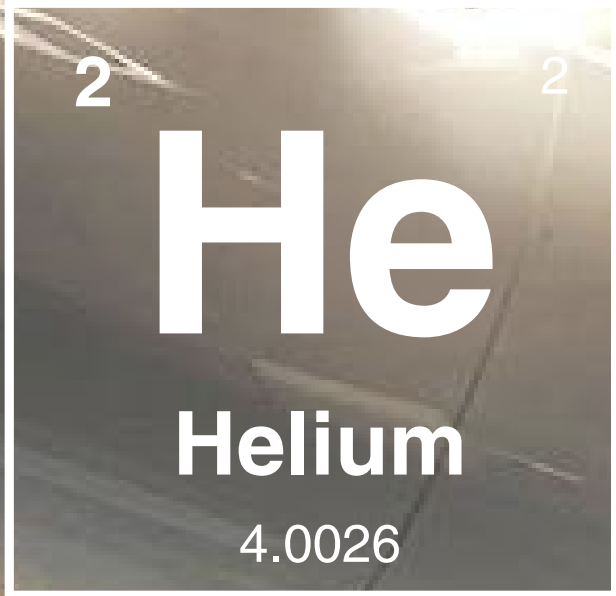


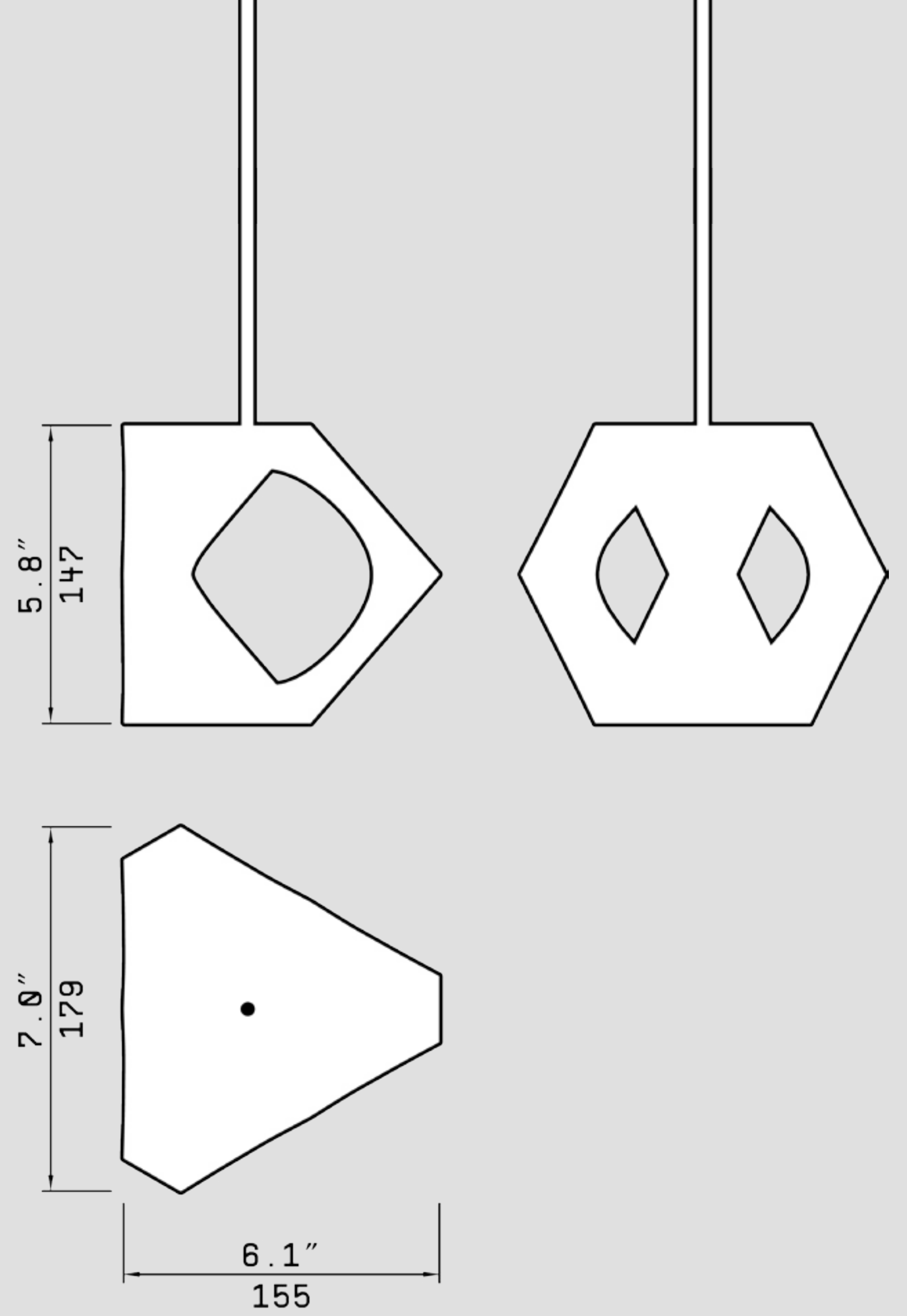




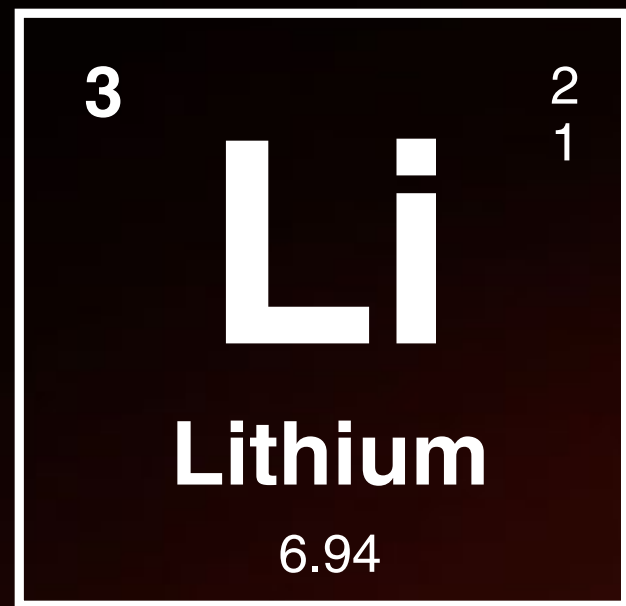


two.parts/gallium

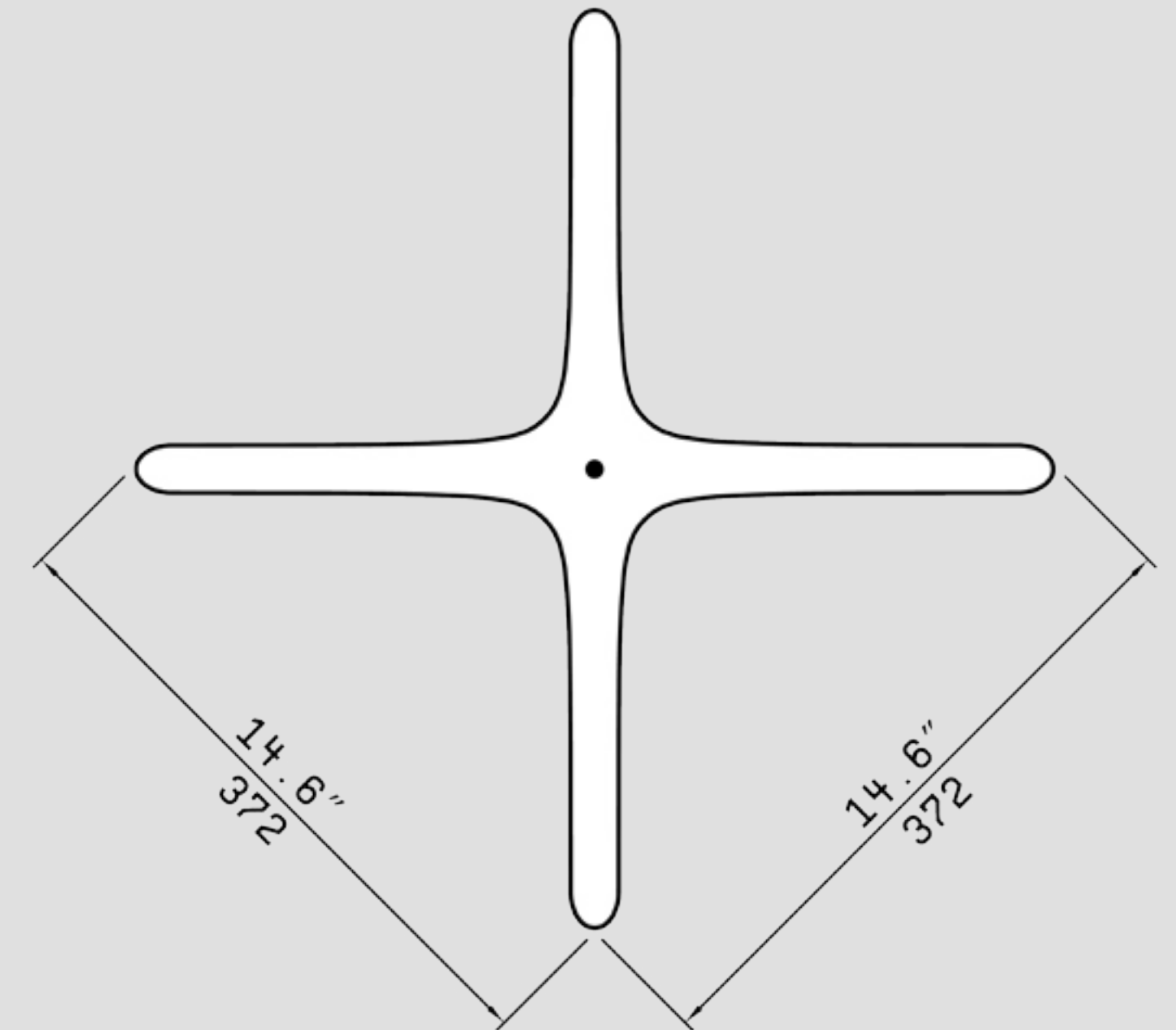
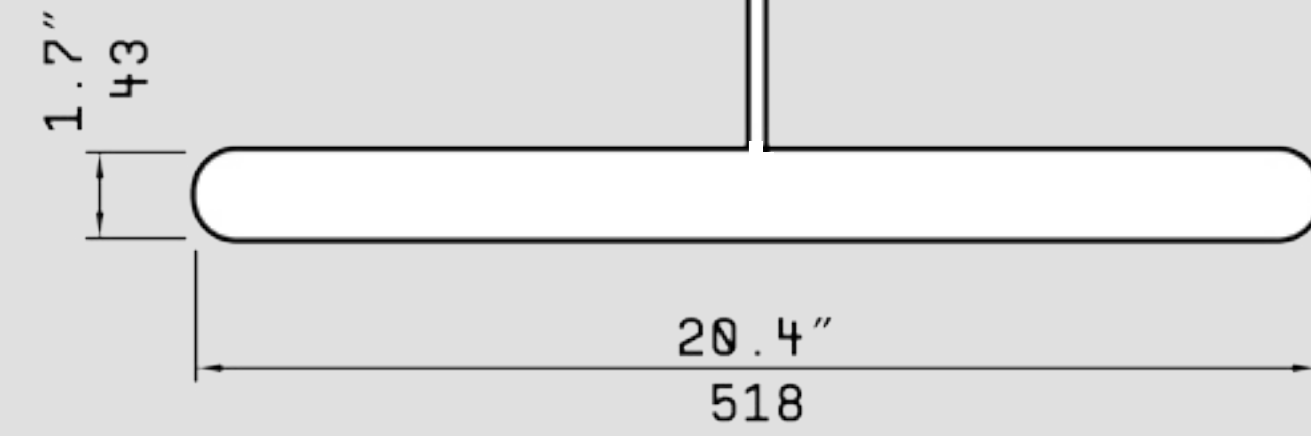
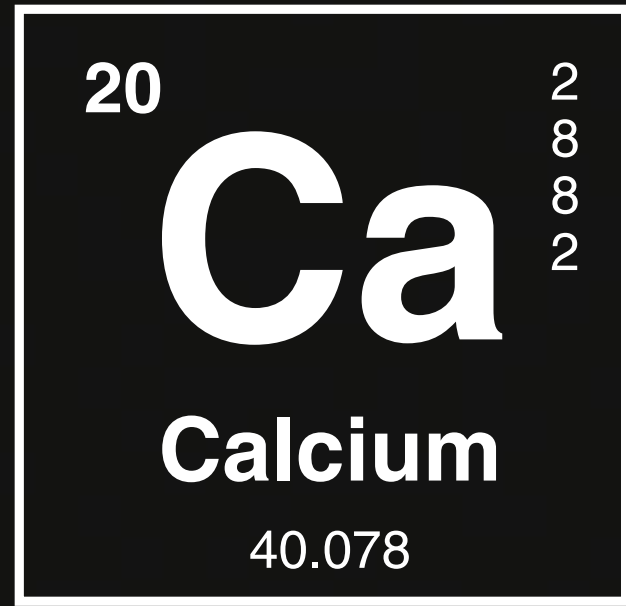




two.parts/helium

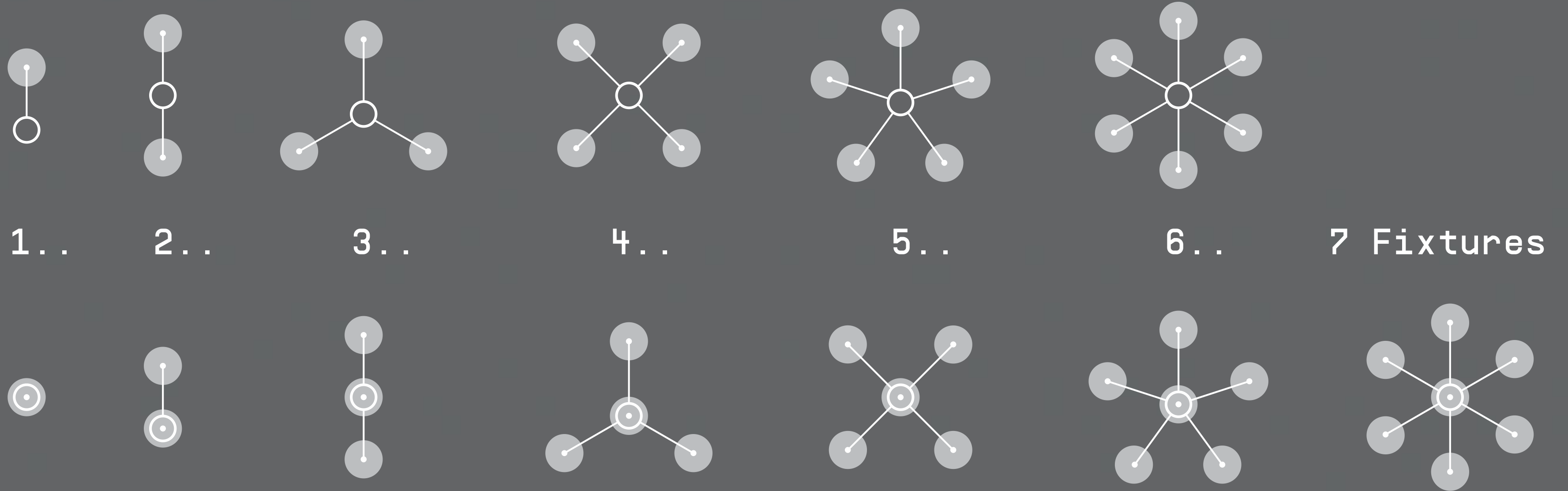






two.parts/calcium
two.parts/lithium

Canopy01 supports



Ceiling Hook and 20 ft Cord included with every light

1

1

H

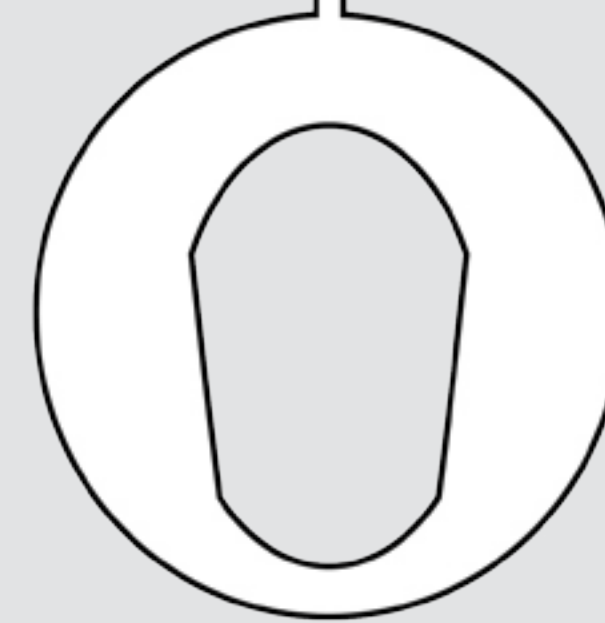
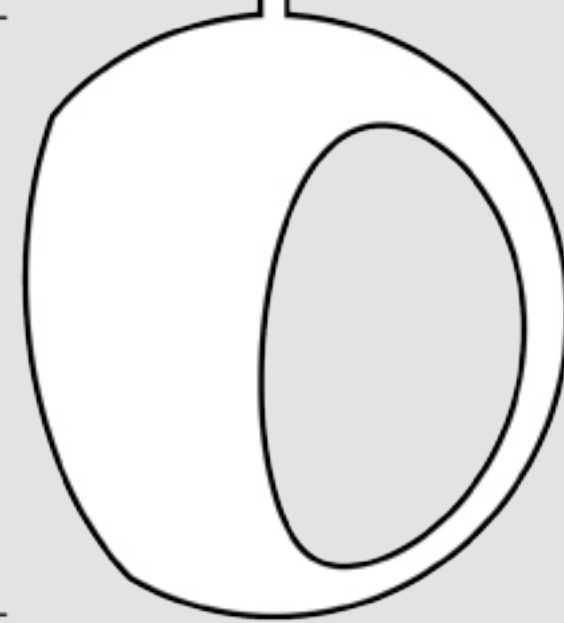
Hydrogen

1.008

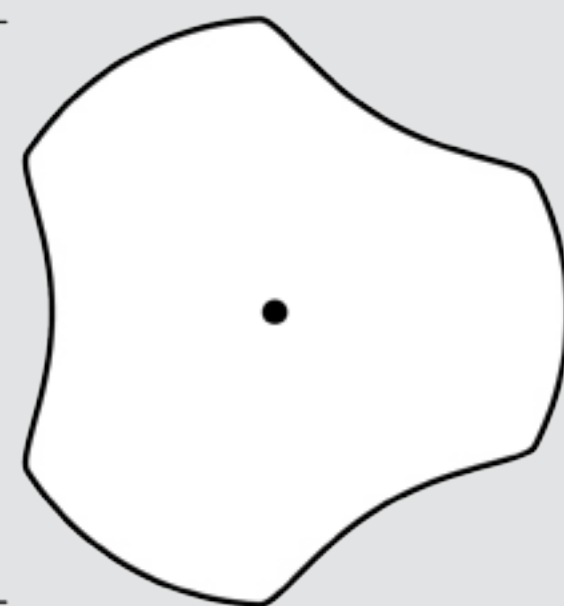




6.8"
172



6.6"
168



6.1"
155

two . parts/hydrogen

8

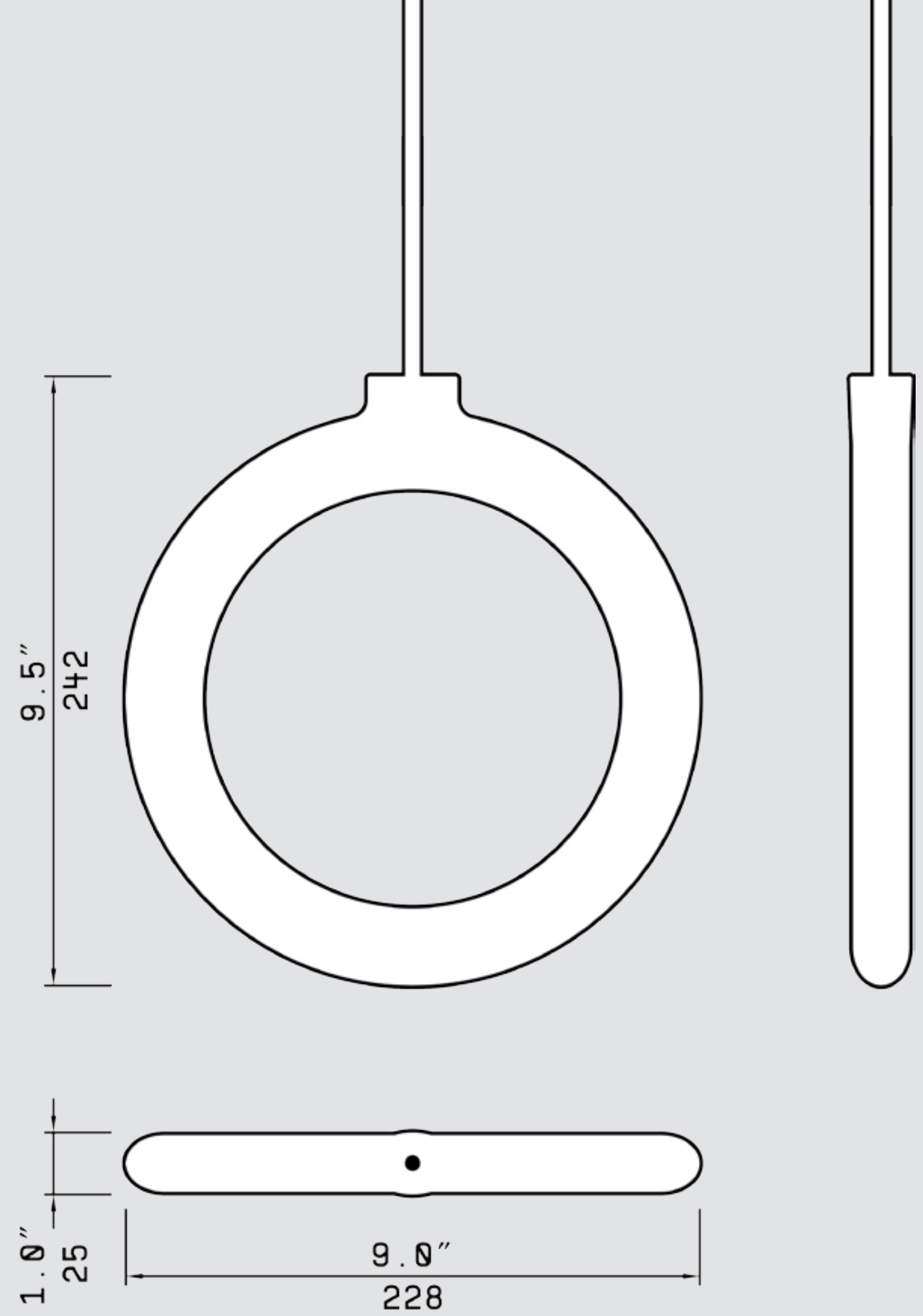
O

2
6

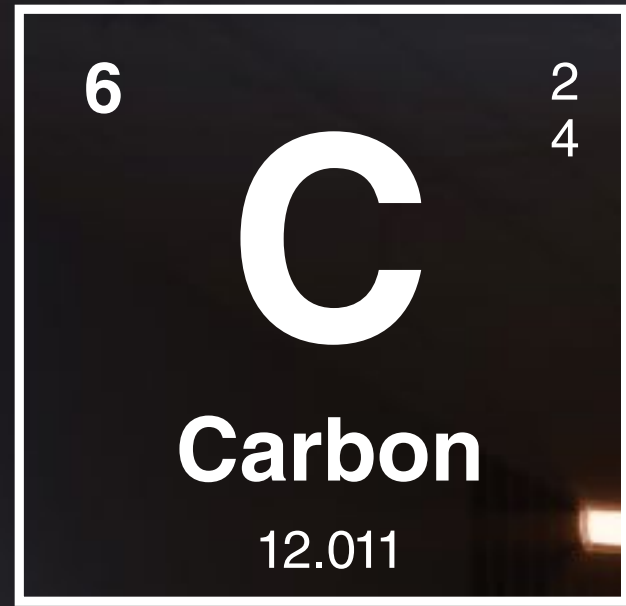
Oxygen

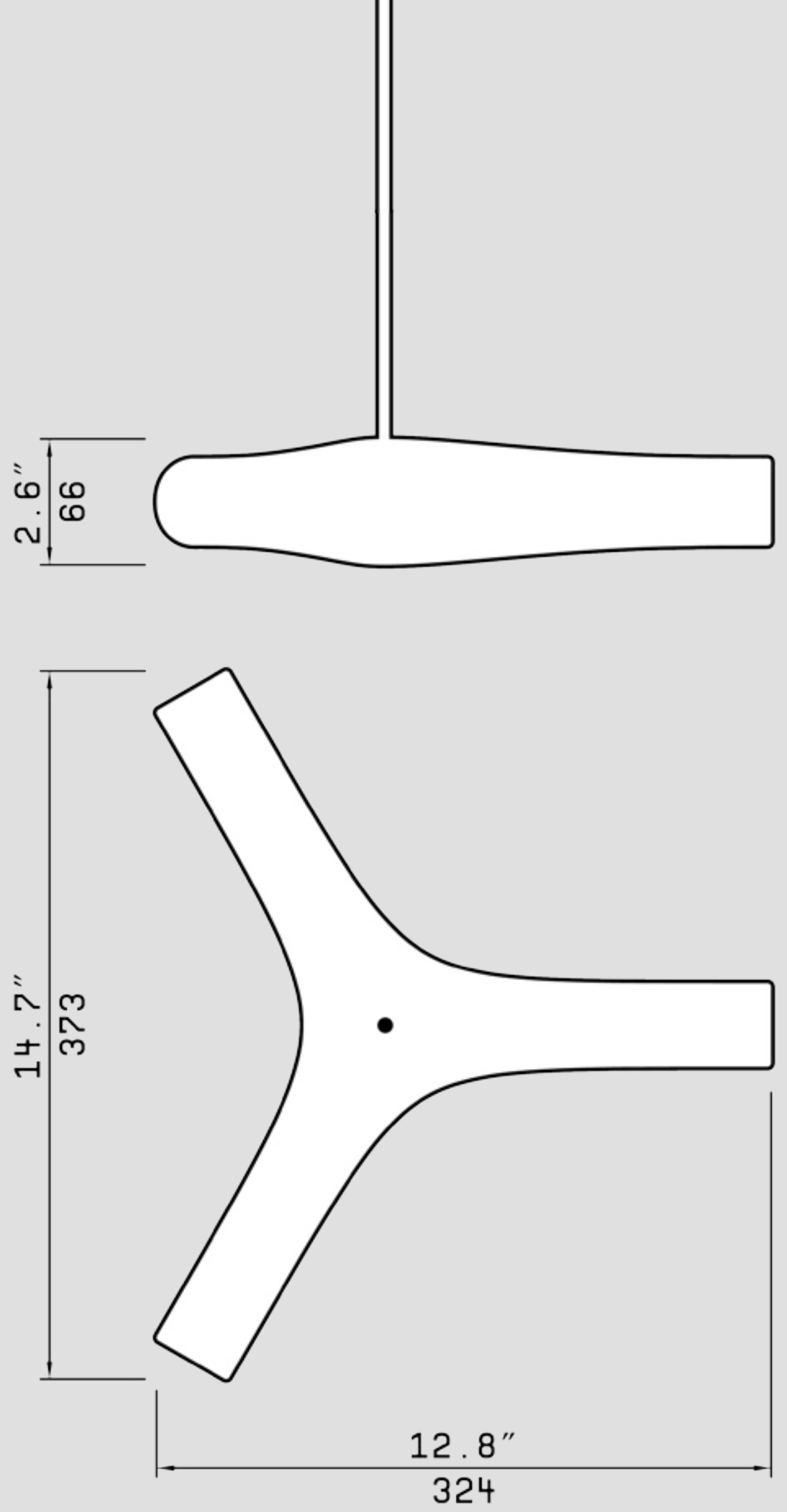
15.999





two.parts/oxygen





two.parts/carbon

