

# TWO PARTS

Notes \_\_\_\_\_  
\_\_\_\_\_



**Download CAD, Revit**  
<http://two.parts/nucleus01>

## Nucleus01

By Christo Logan

### Description

Indoor LED Component

### Fixture

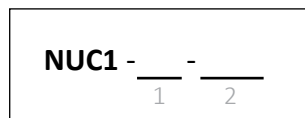
Material: Aluminum + Glass  
Cord: Flexible PVC  
Max Cord Length: 20 ft / 6 m  
Swag Hook: White

### LED

Power: 5W  
Voltage: 12V DC CV  
Output: 450 lm  
User replaceable: No  
Life Expectancy: 50,000 hours  
Color Accuracy: CRI 95+, R9 90+

### Compliance

ETL Listed (UL + CSA Standards)  
Damp Location  
RoHS



### 1 : Cord Color

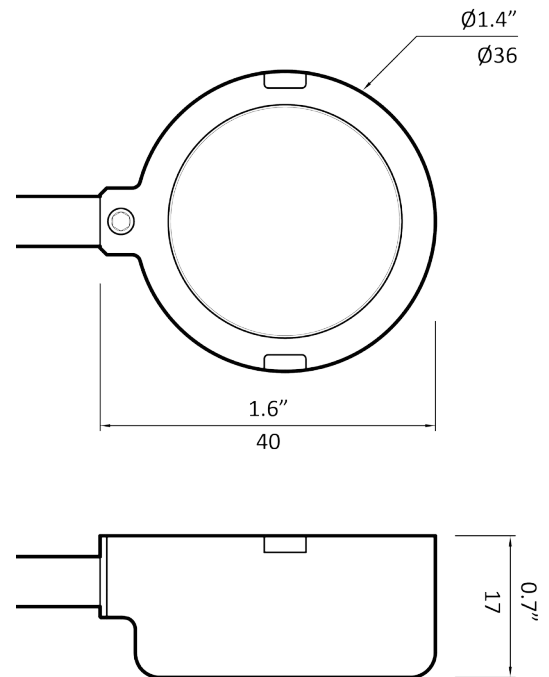
**W** : White  
**K** : Black

### 2 : Light Temperature

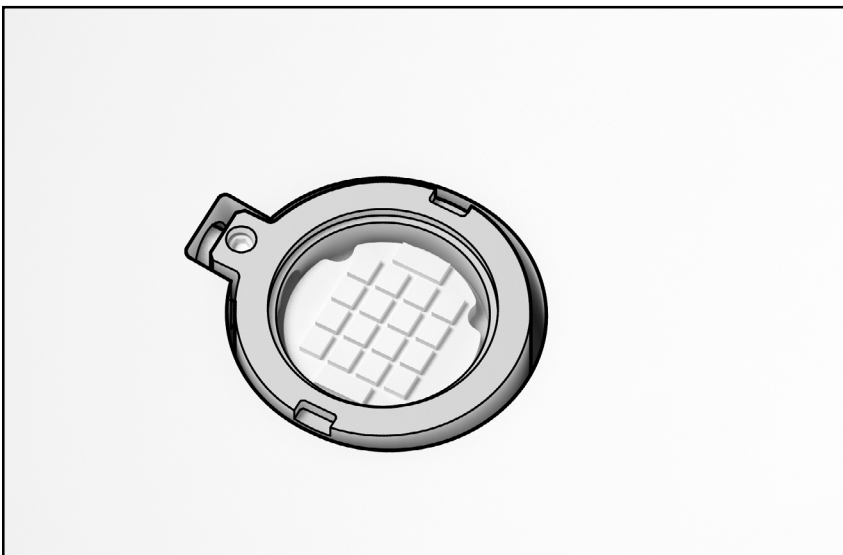
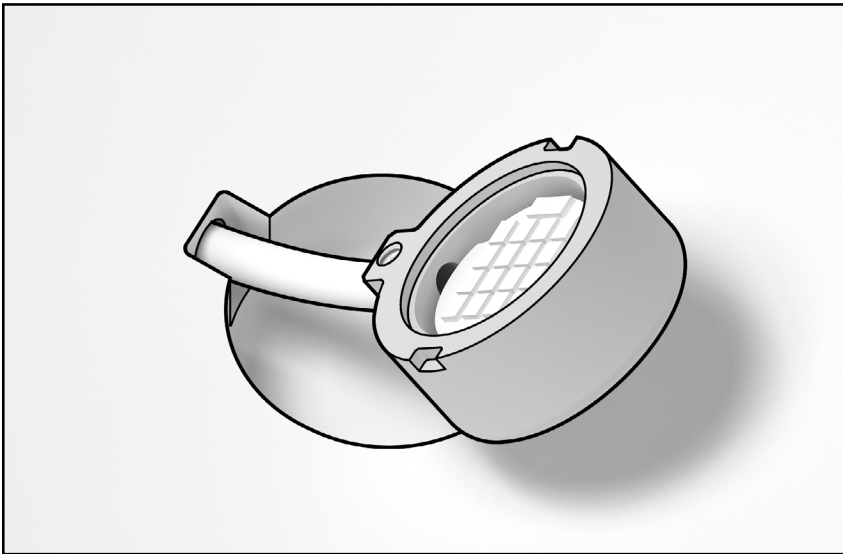
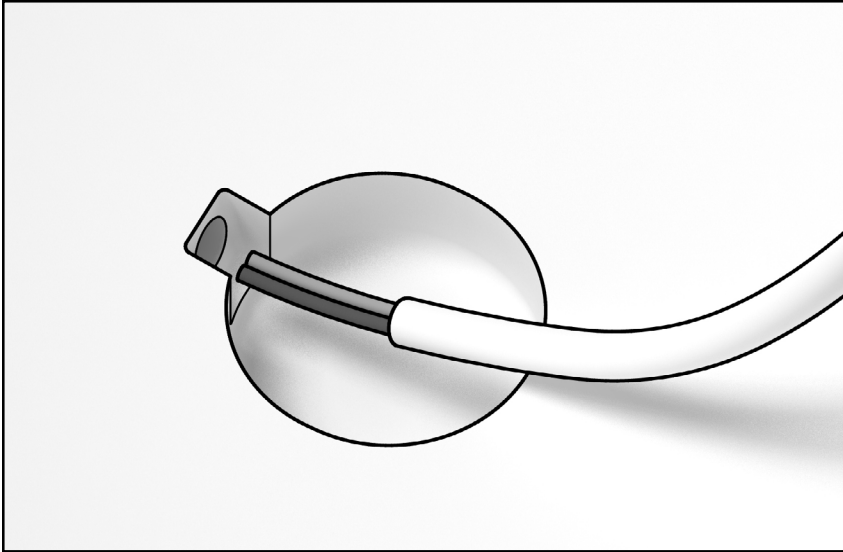
**27** : 2700K  
**30** : 3000K  
**35** : 3500K

### Warranty

5 years



# TWO PARTS



## NUCLEUS01 INSTALL GUIDE

All components are included unless otherwise noted.

### WARNING

Electric shock risk. Use caution when installing. Turn off electrical power at breaker before installation. Installation should be performed by a qualified electrician only.

The installer must ensure that the ceiling can support fixture's weight and reinforce ceiling structure by adequate means if necessary.

### MAINTENANCE

Wipe exposed surfaces with dry cloth as needed.

### INSTRUCTIONS

- 1 Cut about 1 inch or 25 mm of white outer jacket from the end of the cord.
- 2 Insert the cord into the body's tunnel entrance and push/pull through all the way.
- 3 Follow installation instructions for ceiling canopy.