

# TWO PARTS

Notes \_\_\_\_\_  
\_\_\_\_\_

## Gallium Pendant

By Christo Logan



### 1 : Color (reflective)

**W** : White

**S** : Silver

**G** : Gold

**P** : Pantone \_\_\_\_\_

### 2 : Cord Color

**W** : White

**K** : Black

### 3 : Light Temperature

**27** : 2700K

**30** : 3000K

**35** : 3500K

### 4 : Size / Driver

**2** : Double 800 lm / 10W

**3** : Triple 1200 lm / 25W

**4** : Quadruple 1600 lm / 25W

### Fixture

Type: Indoor Pendant

Material: Resin

Max Cord Length: 20 ft / 6 m

### LED

Base: Nucleus01 x 2/3/4

Power: 10/15/20 W

Voltage: 12V DC CV

Output: 800/1200/1600 lm

User replaceable: Yes

Life Expectancy: 50,000 hours

Color Accuracy: CRI 95+, R9 90+

### Warranty

Fixture: 5 years / Driver: 3 years

### Compliance

ETL Listed (UL + CSA Standards)

Damp Location

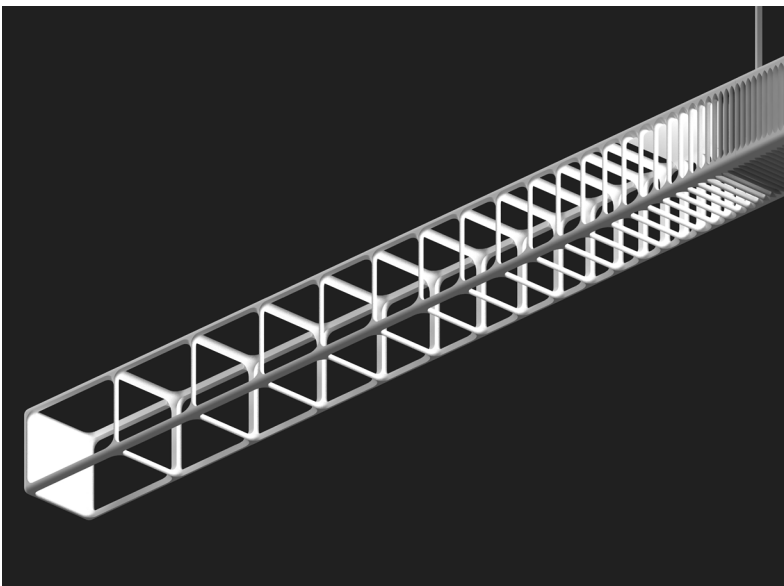
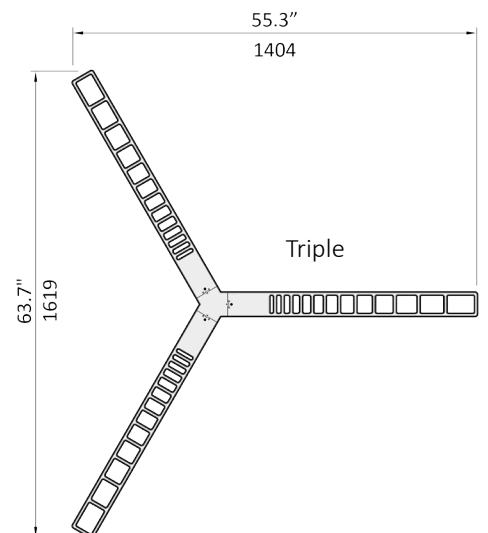
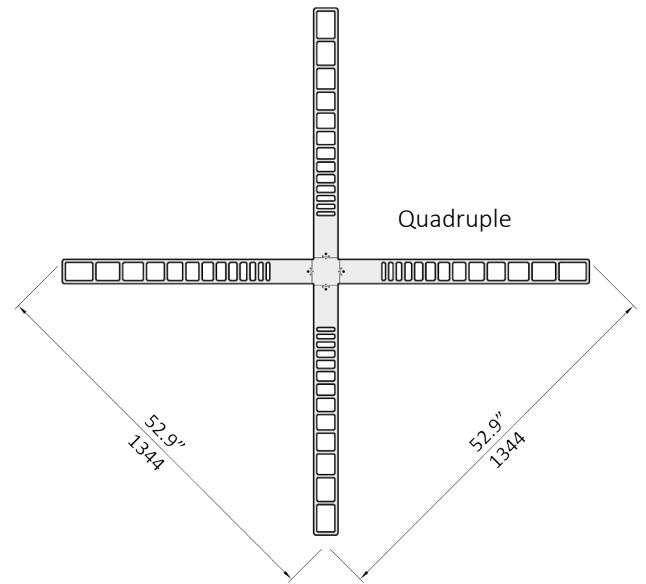
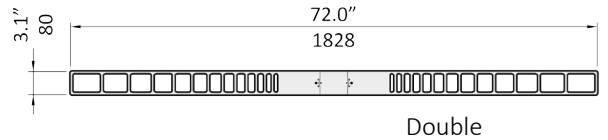
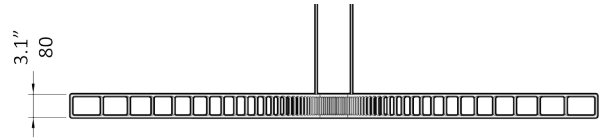
RoHS

### Viewing Angle

Viewable from any angle

### Download CAD, Revit, IES

<http://two.parts/gallium>



# TWO PARTS Driver 10/25/40

By LTF LLC

Notes \_\_\_\_\_

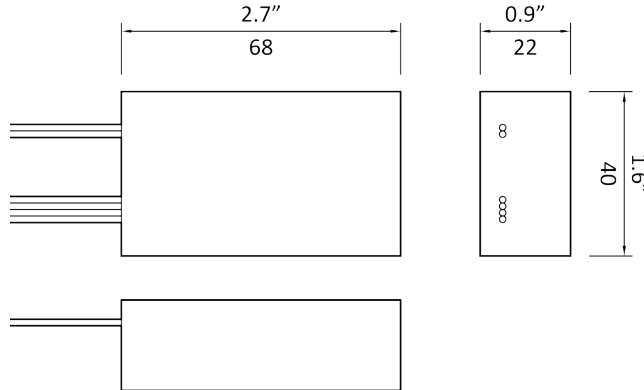
\_\_\_\_\_

## D10W12V-UI-UD

Power: 10W  
Max Current: 833mA

**Manufacturer Part**  
LTF DS10W12VMB1UD

**Dimensions**  
2.7 x 1.6 x 0.9 in  
68 x 40 x 22 mm



## Description

Dimmable Low Voltage LED Driver

## Features

Fits in most Junction Boxes  
Auto-reset, Short Circuit,  
Overload and Thermal  
Protection

## Warranty

3 year limited warranty

## Input

Voltage: 100-305V AC  
Frequency: 50/60Hz

## Output

Type: Constant Voltage  
Voltage: 12V DC

## Specs

Dimming: Triac, ELV, 0-10V  
Class: Class 2 Power Supply  
IP Rating: IP67  
Humidity: 95% RH Max

## Certification

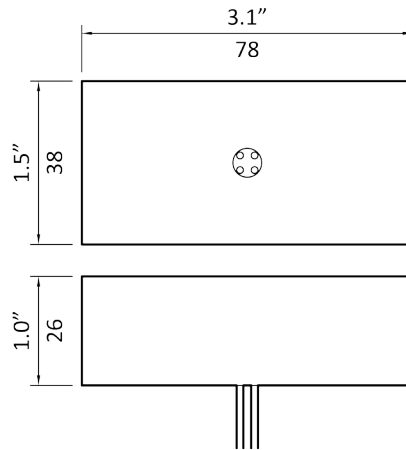
UL8750, UL1310  
CE, RoHS  
FCC Part 15 Class B  
Compliant

## D25W12V-UI-UD

Power: 25W  
Max Current: 2083mA

**Manufacturer Part**  
LTF DS25W12VBF1UD

**Dimensions**  
3.1 x 1.5 x 1.0 in  
78 x 38 x 26 mm

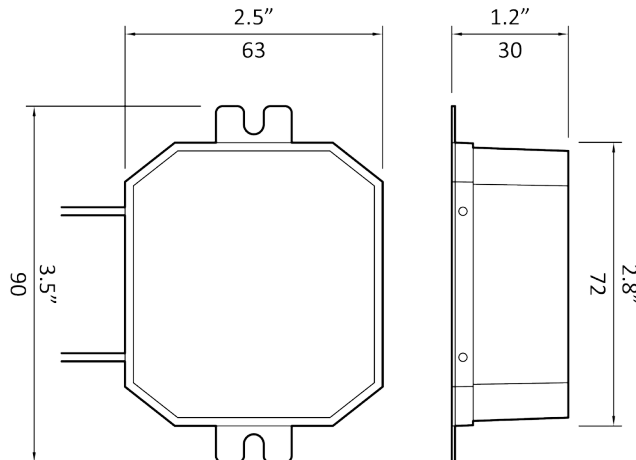


## D40W12V-UI-UD

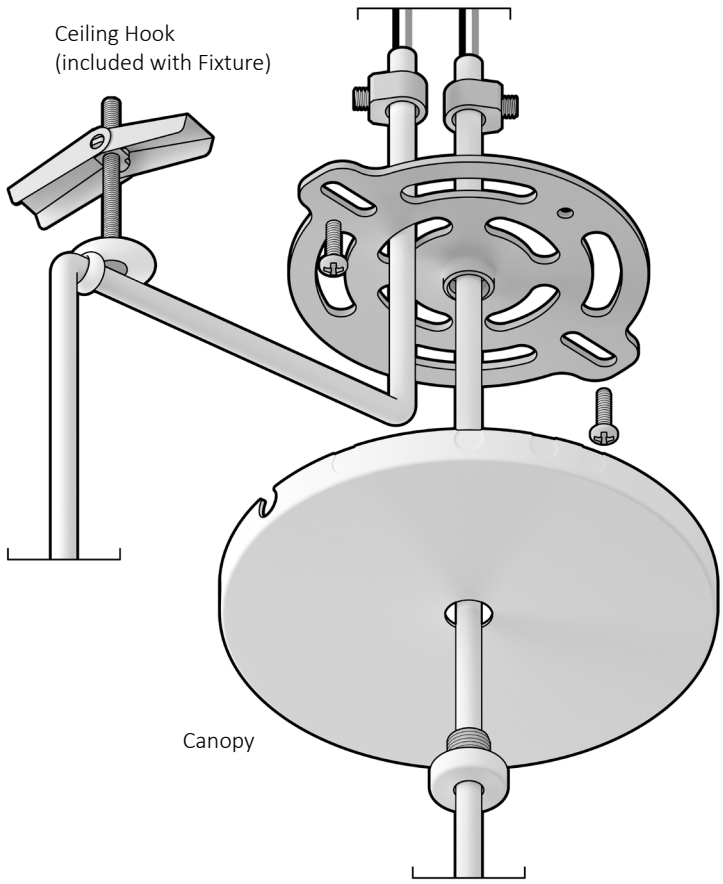
Power: 40W  
Max Current: 3333mA

**Manufacturer Part**  
LTF DS40W12VOCUD

**Dimensions**  
3.5 x 2.5 x 1.2 in  
90 x 63 x 30 mm



# TWO PARTS

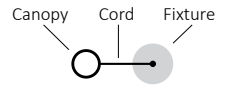


Center & Side Mounted

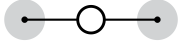
Side Mounted Only



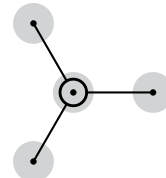
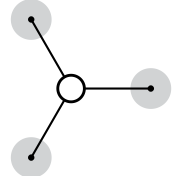
1



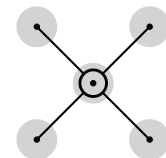
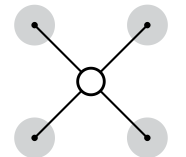
2



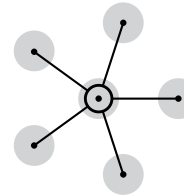
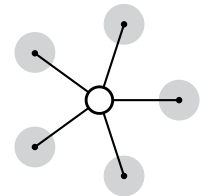
3



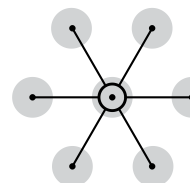
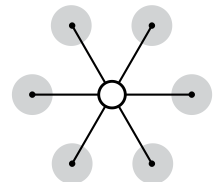
4



5



6



7 Fixtures

## Canopy01 Multi-Port Canopy

By Christo Logan

### Part No (Finish)

C01-W-7P (White)

C01-K-7P (Black)

### Canopy

Fixtures Supported: 1- 7

Material: Steel

Color: White

Dims:  $\varnothing$ 4 1/2 x H3/8 in

Dims:  $\varnothing$ 115 x H9 mm

### Features

Low Profile

No exposed screws

Side port knockouts

Center port cap

### Ceiling Hook

Included with Fixture

Screw size: #8 or M4 flathead

Material: Steel

Color: White

Dims:  $\varnothing$ 0.8 x H0.4 in

Dims:  $\varnothing$ 20 x H11 mm

### Certification

ETL Listed (UL & CSA Standards)

Damp Location

CE, RoHS

### Download CAD, Revit

<http://two.parts/canopy01>

# TWO PARTS

Circuit Connector  
(customer provided)  
Must be UL/CSA/CE approved (US/Canada/  
Europe) for applicable wire gauge

LED Driver  
To be housed in accessible location  
as near as possible to Fixture.

Circuit Connector  
(customer provided)  
Must be UL/CSA/CE approved  
(US/Canada/Europe) for  
applicable wire gauge

Anchor  
Hole  $\varnothing$ : 9/16" or 15mm

Ceiling Hook  
Use #8 or M4 flathead  
screw located 1/2" or  
13mm shy of fixture  
location

Cord  
Side Mounted

Side Port Knockout

Building Wires  
(customer provided)

Internal Wires  
Black+ White-  
Multiple Fixtures to be wired  
in parallel to a single Driver

Cord Grip  
Tighten screw to  
ensure cord cannot  
move

Ground Screw  
Tighten around  
Ground Wire

Screw  
(customer provided)

Canopy

Center Port

Canopy Screw

Cord  
Center Mounted

## CANOPY01 INSTALL GUIDE

All components are included  
unless otherwise noted.

### WARNING

Electric shock risk. Use caution  
when installing. Turn off  
electrical power at breaker  
before installation. Installation  
should be performed by a  
qualified electrician only.

The installer must ensure that  
the ceiling can support fixture's  
weight and reinforce ceiling  
structure by adequate means if  
necessary.

### MAINTENANCE

Wipe exposed surfaces with  
dry cloth as needed.

### INSTRUCTIONS

**1A Center Mount** Remove cap  
from Canopy Screw.

**1B Side Mount** Install Ceiling  
Hook(s) with loop facing away  
from canopy. Knock out side  
port(s) according to cluster  
configuration.

**2** Cut each Cord to desired  
length, leaving 3" (70mm) of  
exposed Internal Wires.

**3A Center Mount** Thread  
Cord through Canopy Screw,  
Canopy, Crossbar and Cord  
Grip.

**3B Side Mount** Thread Cord  
through Ceiling Hook, Crossbar  
and Cord Grip.

**4** Secure Cord Grip onto each  
Cord with 1/2" (10mm) of Cord  
left above.

**5** Using Circuit Connectors  
appropriate to local building  
code, connect Internal Wires  
to Driver and connect Driver to  
Building Wires.

**6** Screw Crossbar to ceiling or  
outlet box.

**7** Affix Canopy Screw to  
Crossbar with Canopy in  
between.