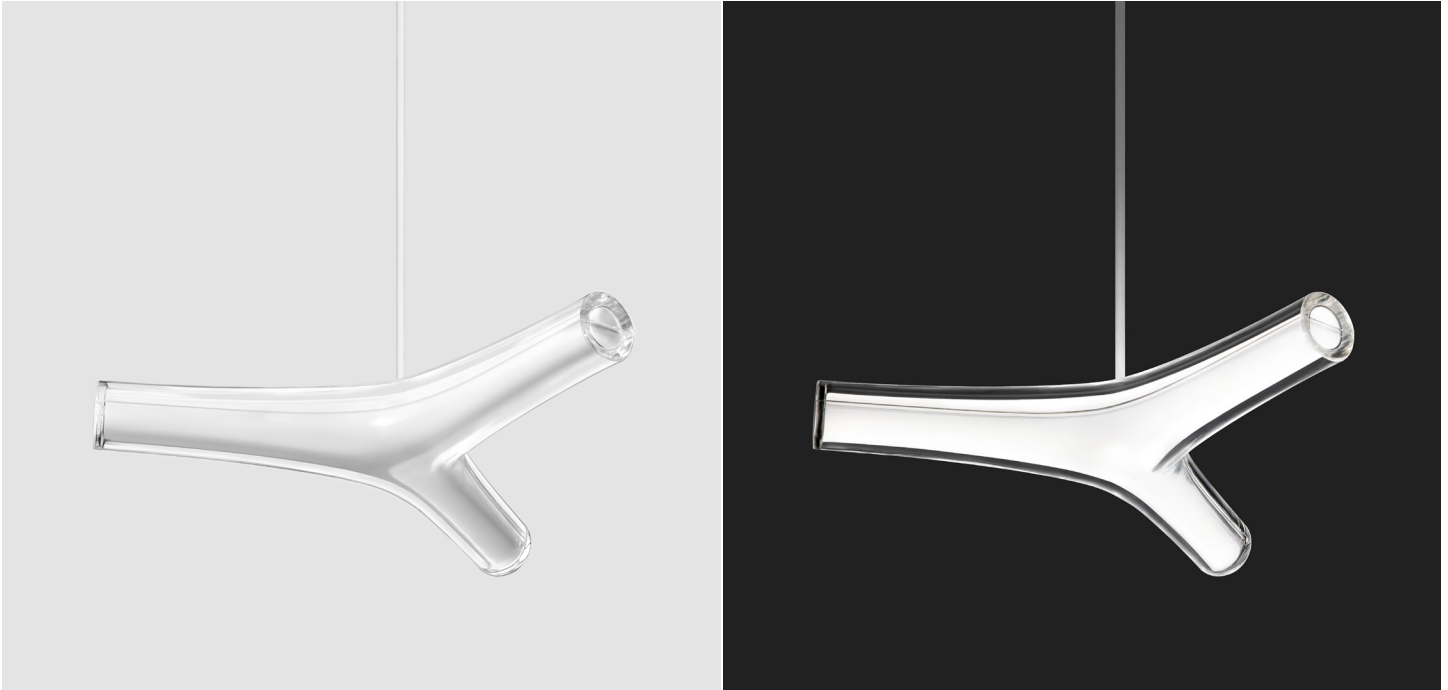


# TWO PARTS Carbon Pendant

By Christo Logan

Notes \_\_\_\_\_

\_\_\_\_\_



CAR - CW -      -       
                  1     (2)

## 1 : Light Temperature

- 27 : 2700K
- 30 : 3000K
- 35 : 3500K

## 2 optional : Rigid Stem Length

6 - 120 in 6" increments

\*Only when one (1) Fixture per Canopy

## Qty Fixtures

\_\_\_\_ x Carbon

## Qty Drivers (# Fixtures Supported)

- \_\_\_\_ x 25W j-box (1 fixture)
- \_\_\_\_ x 40W j-box (2)
- \_\_\_\_ x 90W remote (3-5)
- \_\_\_\_ x 120W remote (6-7)
- \_\_\_\_ x 200W remote (8-12)

## Qty Canopies (up to 7 Fixtures each)

\_\_\_\_ x Canopy

## Description

Indoor Pendant Fixture  
Material: Acrylic + Polycarbonate

## Fixture

Flexible Cord Color: White  
Max Cord Length: 20 ft / 6 m  
Swag Hook: White  
Rigid Stem (opt'l): 6" - 150"

## LED

Power: 13W each  
Voltage: 12V DC CV  
Output: 1000 lm each  
User replaceable: No  
Life Expectancy: 50,000 hours  
Color Accuracy: CRI 95+, R9 90+

## Warranty

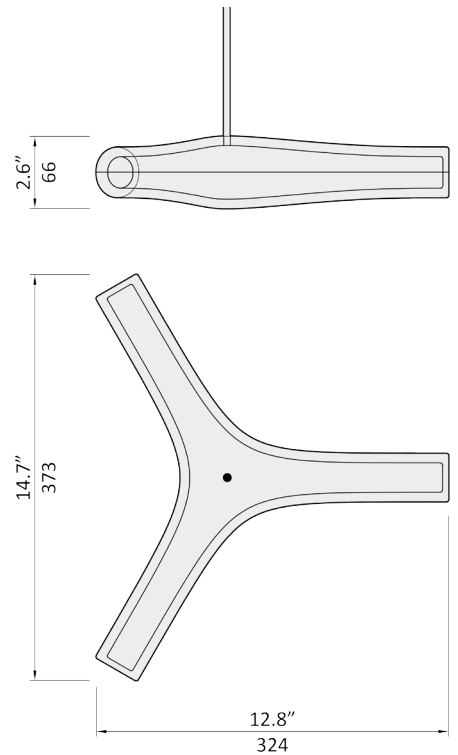
Fixture: 5 years / Driver: 3 years

## Compliance

ETL Listed (UL + CSA Standards)  
Damp Location  
RoHS

## Viewing Angle

Viewable from any angle



Download CAD, Revit, IES

<http://two.parts/carbon>

# TWO PARTS Driver 10/25/40

By LTF LLC

Notes \_\_\_\_\_

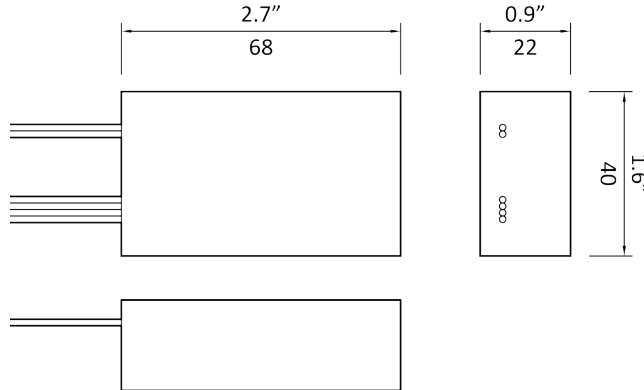
\_\_\_\_\_

## D10W12V-UI-UD

Power: 10W  
Max Current: 833mA

**Manufacturer Part**  
LTF DS10W12VMB1UD

**Dimensions**  
2.7 x 1.6 x 0.9 in  
68 x 40 x 22 mm



## Description

Dimmable Low Voltage LED Driver

## Features

Fits in most Junction Boxes  
Auto-reset, Short Circuit,  
Overload and Thermal  
Protection

## Warranty

3 year limited warranty

## Input

Voltage: 100-305V AC  
Frequency: 50/60Hz

## Output

Type: Constant Voltage  
Voltage: 12V DC

## Specs

Dimming: Triac, ELV, 0-10V  
Class: Class 2 Power Supply  
IP Rating: IP67  
Humidity: 95% RH Max

## Certification

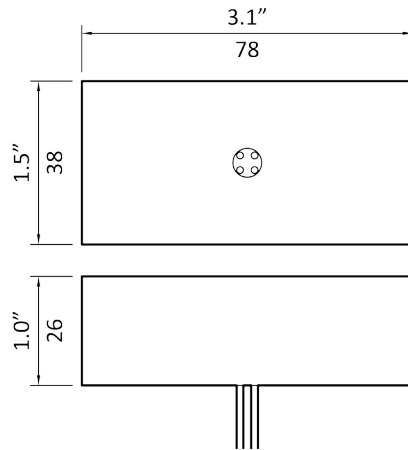
UL8750, UL1310  
CE, RoHS  
FCC Part 15 Class B  
Compliant

## D25W12V-UI-UD

Power: 25W  
Max Current: 2083mA

**Manufacturer Part**  
LTF DS25W12VBF1UD

**Dimensions**  
3.1 x 1.5 x 1.0 in  
78 x 38 x 26 mm

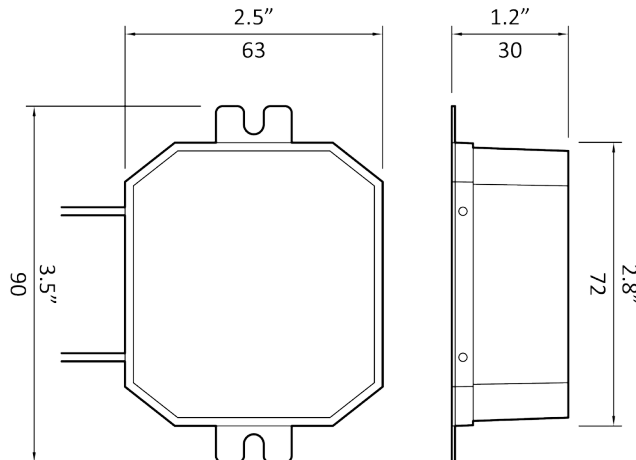


## D40W12V-UI-UD

Power: 40W  
Max Current: 3333mA

**Manufacturer Part**  
LTF DS40W12VOCUD

**Dimensions**  
3.5 x 2.5 x 1.2 in  
90 x 63 x 30 mm



# TWO PARTS Driver 90/120/200

By Mean Well

Notes \_\_\_\_\_

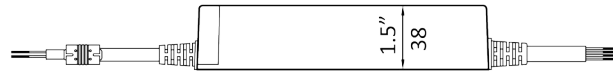
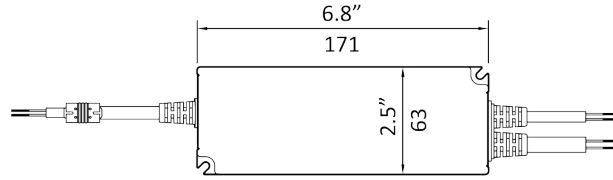
\_\_\_\_\_

## PWM-90-12

Power: 90W  
Max Current: 7.5A

**Manufacturer Part**  
Mean Well PWM-200-12

**Dimensions**  
6.8 x 2.5 x 1.5 in  
171 x 63 x 37.5 mm



## Description

Dimmable Low Voltage LED Driver

## Features

Protections: short circuit, over load, over voltage, over temperature

## Warranty

3 year limited warranty

## Input

Voltage: 100-305V AC  
Frequency: 50/60Hz

## Output

Type: Constant Voltage  
Voltage: 12V DC

## Specs

Dimming: 0-10V, 10V PWM  
IP Rating: IP67  
Humidity: 95% RH Max

## Certification

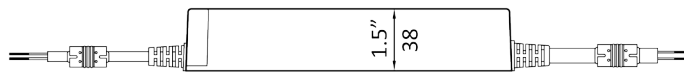
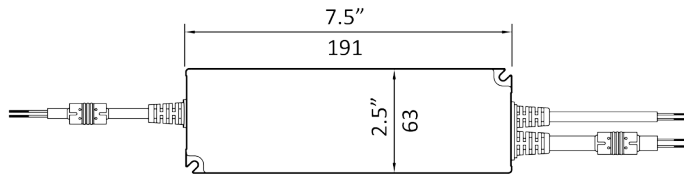
UL8750  
CSA C22.2 No. 250.13-12

## PWM-120-12

Power: 120W  
Max Current: 2083mA

**Manufacturer Part**  
Mean Well PWM-200-12

**Dimensions**  
3.1 x 1.5 x 1.0 in  
78 x 38 x 26 mm

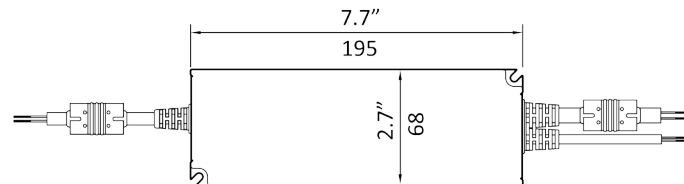


## PWM-200-12

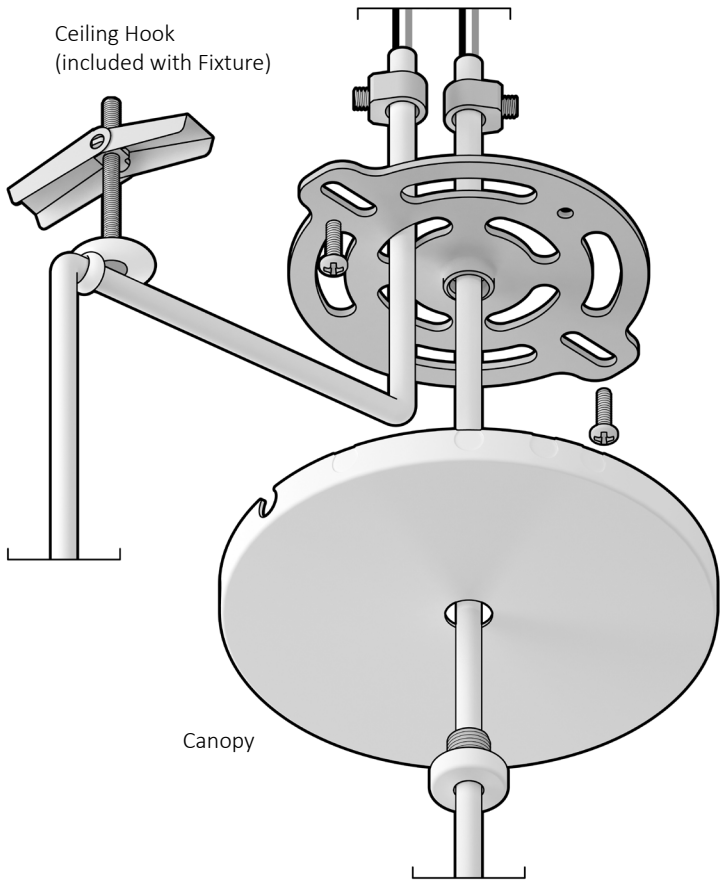
Power: 200W  
Max Current: 3333mA

**Manufacturer Part**  
Mean Well PWM-200-12

**Dimensions**  
3.5 x 2.5 x 1.2 in  
90 x 63 x 30 mm



# TWO PARTS

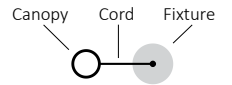


Center & Side Mounted

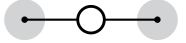
Side Mounted Only



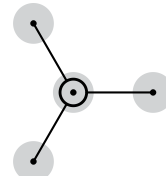
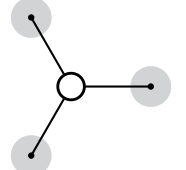
1



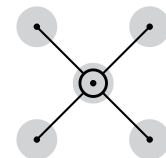
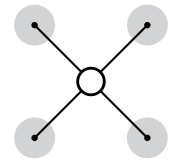
2



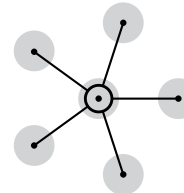
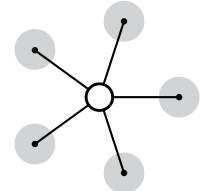
3



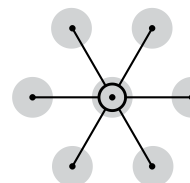
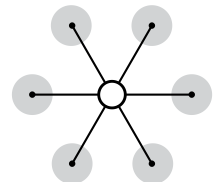
4



5



6



7 Fixtures

## Canopy01 Multi-Port Canopy

By Christo Logan

### Part No (Finish)

C01-W-7P (White)

C01-K-7P (Black)

### Canopy

Fixtures Supported: 1- 7

Material: Steel

Color: White

Dims:  $\varnothing$ 4 1/2 x H3/8 in

Dims:  $\varnothing$ 115 x H9 mm

### Features

Low Profile

No exposed screws

Side port knockouts

Center port cap

### Ceiling Hook

Included with Fixture

Screw size: #8 or M4 flathead

Material: Steel

Color: White

Dims:  $\varnothing$ 0.8 x H0.4 in

Dims:  $\varnothing$ 20 x H11 mm

### Certification

ETL Listed (UL & CSA Standards)

Damp Location

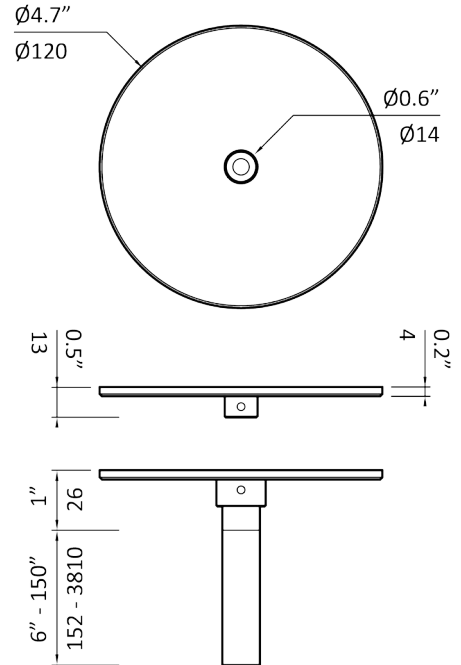
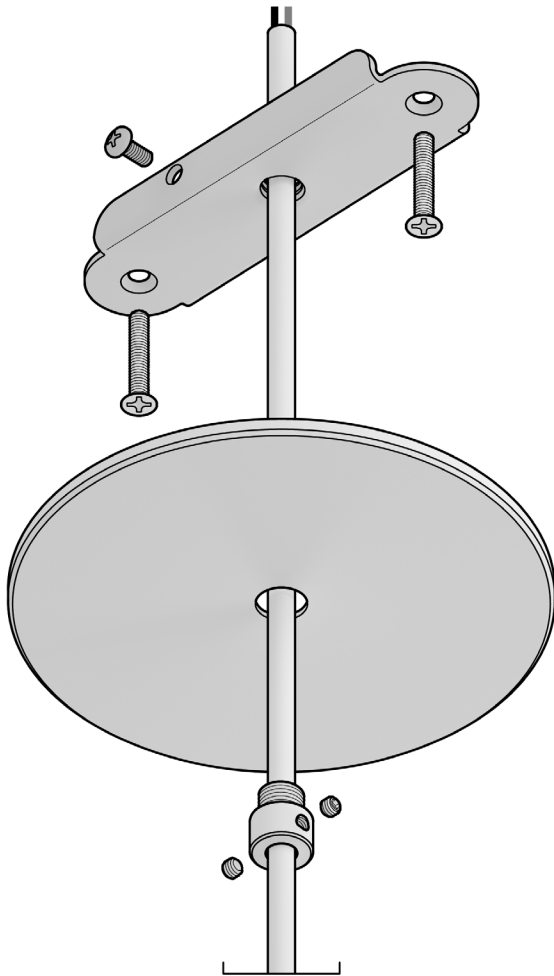
CE, RoHS

### Download CAD, Revit

<http://two.parts/canopy01>

# TWO PARTS

Notes \_\_\_\_\_



## Canopy02 Single-Port Canopy

By Christo Logan

### Part No (Finish)

C02-W-1P (White)  
C02-K-1P (Black)

### Certification

ETL Listed (UL & CSA Standards)  
Damp Location  
CE, RoHS

### Canopy

Fixtures Supported: 1  
Material: Aluminum  
Color: White  
Dims:  $\varnothing 4 \frac{1}{2} \times H3/8$  in  
Dims:  $\varnothing 115 \times H9$  mm

### Download CAD, Revit

<http://two.parts/canopy02>

### Features

Low Profile  
RigidStem01 optional

## RigidStem01

By Christo Logan

### Part No (Finish)

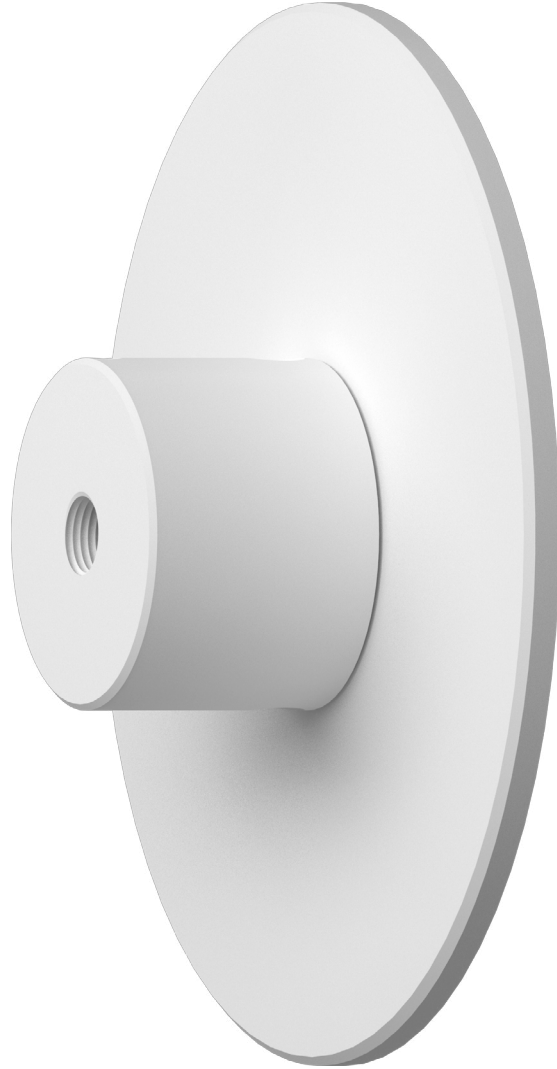
RS01-W (White)  
RS01-K (Black)

### Canopy

Fixtures Supported: 1  
Material: Aluminum  
Color: White  
Diameter: 0.6 in / 16 mm  
Length: 6" - 120" in 6" increments

# TWO PARTS

Notes \_\_\_\_\_



## Surface Mount01

By Christo Logan

### Part No (Finish)

M01-B (Brushed Metal)  
M01-W (Matte White)

### Surface Mount

Fixtures Supported: 1  
Material: Aluminum  
Dims:  $\varnothing 4.5$  x H1.3 in  
Dims:  $\varnothing 120$  x H34 mm

### Features

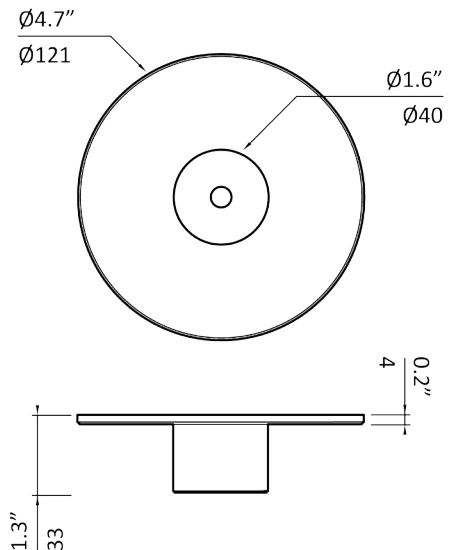
Low Profile  
Sconce ADA compliant

### Download CAD, Revit

<http://two.parts/mount01>

### Compatibility

Calcium, Carbon, Lithium



# TWO PARTS

Circuit Connector  
(customer provided)  
Must be UL/CSA/CE approved (US/Canada/  
Europe) for applicable wire gauge

LED Driver  
To be housed in accessible location  
as near as possible to Fixture.

Circuit Connector  
(customer provided)  
Must be UL/CSA/CE approved  
(US/Canada/Europe) for  
applicable wire gauge

Anchor  
Hole  $\varnothing$ : 9/16" or 15mm

Ceiling Hook  
Use #8 or M4 flathead  
screw located 1/2" or  
13mm shy of fixture  
location

Cord  
Side Mounted

Side Port Knockout

Building Wires  
(customer provided)

Internal Wires  
Black+ White-  
Multiple Fixtures to be wired  
in parallel to a single Driver

Cord Grip  
Tighten screw to  
ensure cord cannot  
move

Ground Screw  
Tighten around  
Ground Wire

Screw  
(customer provided)

Canopy

Center Port

Canopy Screw

Cord  
Center Mounted

## CANOPY01 INSTALL GUIDE

All components are included  
unless otherwise noted.

### WARNING

Electric shock risk. Use caution  
when installing. Turn off  
electrical power at breaker  
before installation. Installation  
should be performed by a  
qualified electrician only.

The installer must ensure that  
the ceiling can support fixture's  
weight and reinforce ceiling  
structure by adequate means if  
necessary.

### MAINTENANCE

Wipe exposed surfaces with  
dry cloth as needed.

### INSTRUCTIONS

**1A Center Mount** Remove cap  
from Canopy Screw.

**1B Side Mount** Install Ceiling  
Hook(s) with loop facing away  
from canopy. Knock out side  
port(s) according to cluster  
configuration.

**2** Cut each Cord to desired  
length, leaving 3" (70mm) of  
exposed Internal Wires.

**3A Center Mount** Thread  
Cord through Canopy Screw,  
Canopy, Crossbar and Cord  
Grip.

**3B Side Mount** Thread Cord  
through Ceiling Hook, Crossbar  
and Cord Grip.

**4** Secure Cord Grip onto each  
Cord with 1/2" (10mm) of Cord  
left above.

**5** Using Circuit Connectors  
appropriate to local building  
code, connect Internal Wires  
to Driver and connect Driver to  
Building Wires.

**6** Screw Crossbar to ceiling or  
outlet box.

**7** Affix Canopy Screw to  
Crossbar with Canopy in  
between.

# TWO PARTS

Circuit Connector  
(customer provided)  
Must be UL/CSA/CE approved (US/Canada/  
Europe) for applicable wire gauge

LED Driver  
To be housed in accessible location  
as near as possible to Fixture.

Circuit Connector  
(customer provided)  
Must be UL/CSA/CE approved  
(US/Canada/Europe) for  
applicable wire gauge

Ground Screw  
Tighten around Ground Wire

Building Wires  
(customer provided)

Internal Wires  
Black+ White-

Crossbar

Flathead Screw

Canopy Cover

## CANOPY02 INSTALL GUIDE

All components are included  
unless otherwise noted.

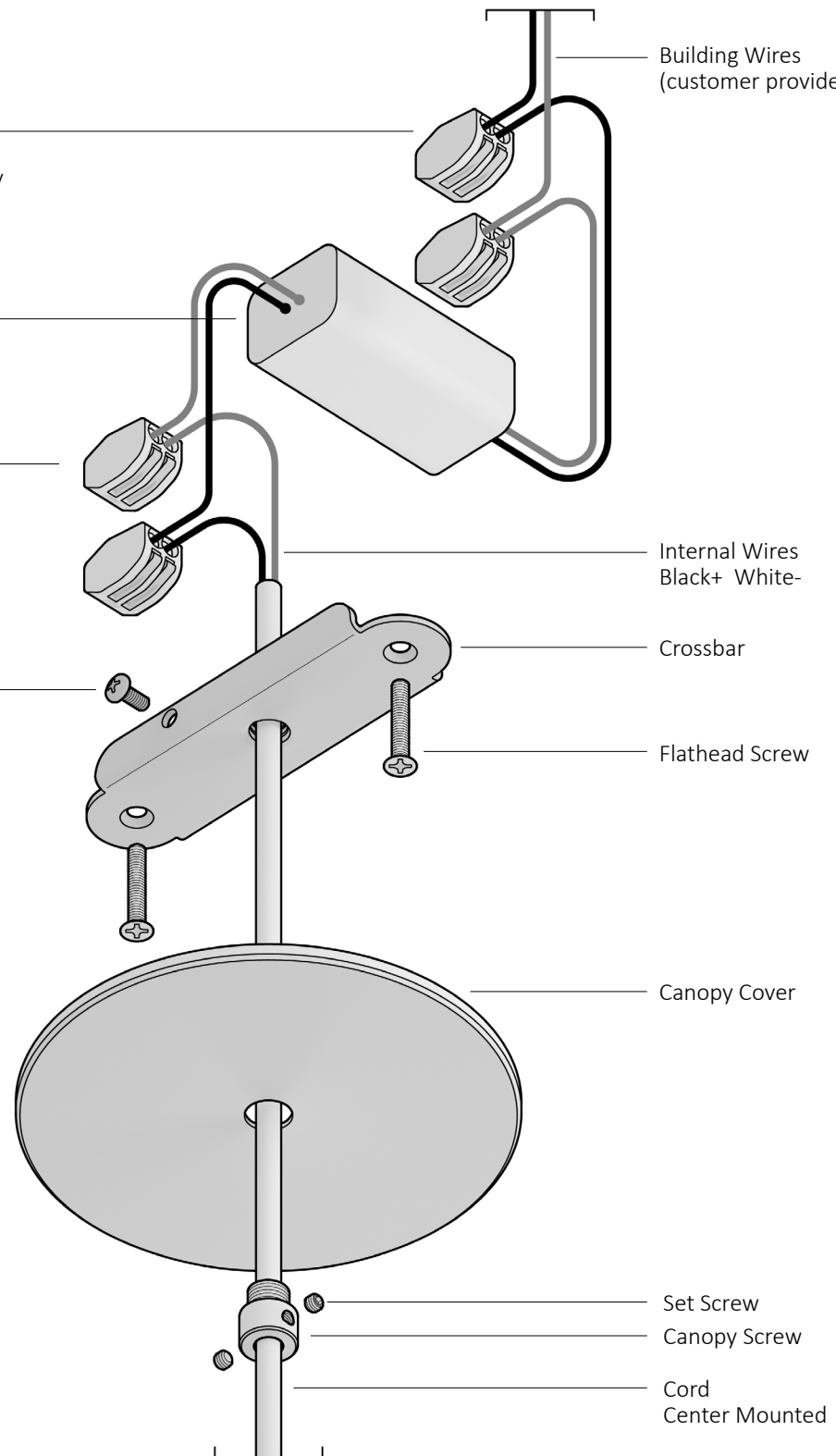
### WARNING

Electric shock risk. Use  
caution when installing. Turn  
off electrical power at breaker  
before installation. Installation  
should be performed by a  
qualified electrician only.

The installer must ensure  
that the ceiling can support  
fixture's weight and reinforce  
ceiling structure by adequate  
means if necessary.

### MAINTENANCE

Wipe exposed surfaces with  
dry cloth as needed.



### INSTRUCTIONS

**1** Cut Cord to desired  
length, leaving 3" (70mm)  
of exposed Internal Wires.  
**2** Thread Cord through  
Canopy Screw, Canopy  
Cover, and Crossbar.

**3** Using code-compliant  
Circuit Connectors, connect  
Internal Wires to Driver and  
Driver to Building Wires.  
**4** Screw Crossbar to ceiling  
or outlet box.

**5** Affix Canopy  
Screw to Crossbar  
with Canopy  
Cover in between.  
**6** Tighten Set  
Screws on Cord.

# TWO PARTS

Circuit Connector  
(customer provided)  
Must be UL/CSA/CE approved (US/Canada/  
Europe) for applicable wire gauge

LED Driver  
To be housed in accessible location  
as near as possible to Fixture.

Circuit Connector  
(customer provided)  
Must be UL/CSA/CE approved  
(US/Canada/Europe) for  
applicable wire gauge

Ground Screw  
Tighten around Ground Wire

## CANOPY02 + RIGIDSTEM01 INSTALL GUIDE

All components are included  
unless otherwise noted.

### WARNING

Electric shock risk. Use  
caution when installing. Turn  
off electrical power at breaker  
before installation. Installation  
should be performed by a  
qualified electrician only.

The installer must ensure  
that the ceiling can support  
fixture's weight and reinforce  
ceiling structure by adequate  
means if necessary.

### MAINTENANCE

Wipe exposed surfaces with  
dry cloth as needed.

### INSTRUCTIONS

**1** Thread Strain Relief onto  
cord at its base and tighten  
Set Screw.

**2** Screw together all Rigid  
Stem Tubes as needed with  
the RS Top Piece at the top.

**3** Thread Cord through all Rigid  
Stem tubes as well as Canopy  
Screw, Canopy Cover, and Crossbar.

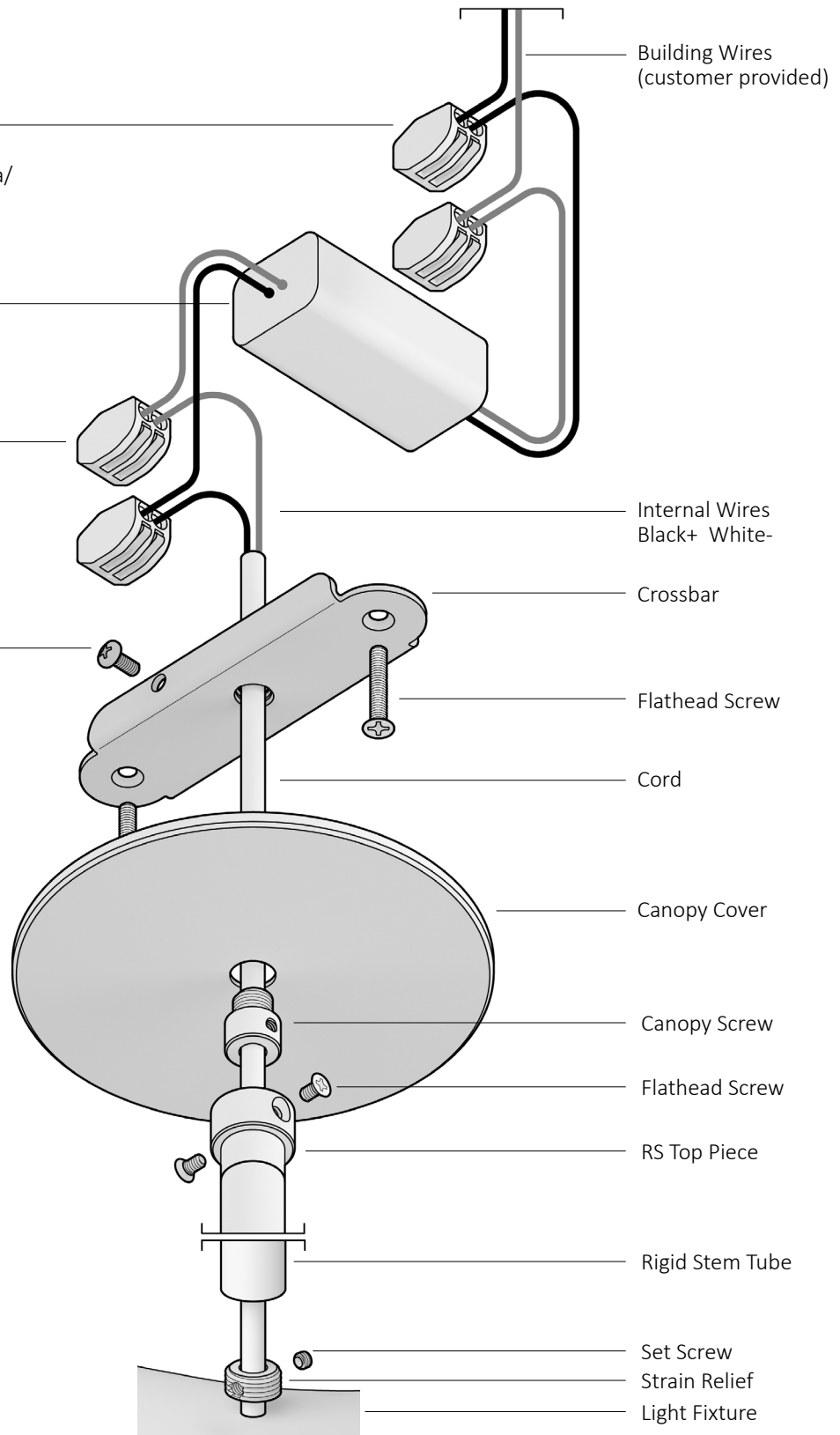
**4** Cut Cord to desired length,  
leaving 3" (100mm) of exposed  
Internal Wires.

**5** Using code-compliant Circuit  
Connectors, connect Internal  
Wires to Driver and Driver to  
Building Wires.

**6** Screw Crossbar to ceiling or  
outlet box.

**7** Affix Canopy Screw to  
Crossbar with Canopy  
Cover in between.

**8** Affix Rigid Stem to  
Canopy Screw using  
Flathead Screws.



# TWO PARTS

## SURFACE MOUNT01 INSTALL GUIDE

All components drawn are included unless otherwise noted.

### WARNING

Electric shock risk. Use caution when installing. Turn off electrical power at breaker before installation. Installation should be performed by a qualified electrician only.

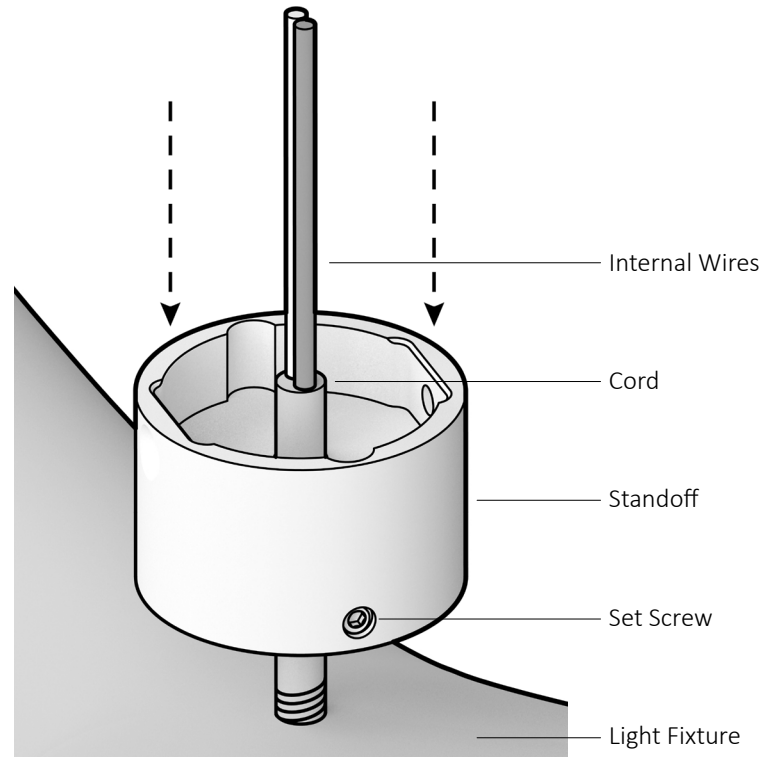
The installer must ensure that the ceiling can support fixture's weight and reinforce ceiling structure by adequate means if necessary.

### MAINTENANCE

Wipe exposed surfaces with dry cloth as needed.

### INSTRUCTIONS

- 1 Cut Cord to 4" (100mm) in length and strip 2" (50mm) of white cord cover to expose Internal Wires.
- 2 Insert Cord into Standoff and screw Standoff onto Light Fixture.
- 3 Tighten Set Screw using included Allen Key.



- 4 Using Circuit Connectors appropriate to local building code, connect Driver Wires to Building Wires.
- 5 Screw Crossbar to outlet box or wall.
- 6 Place Cover Plate over Crossbar and pull Driver Wires through center opening.
- 7 Using Circuit Connectors appropriate to local building code, connect Internal Wires to Driver Wires.
- 8 Screw Standoff to Crossbar Tabs.

