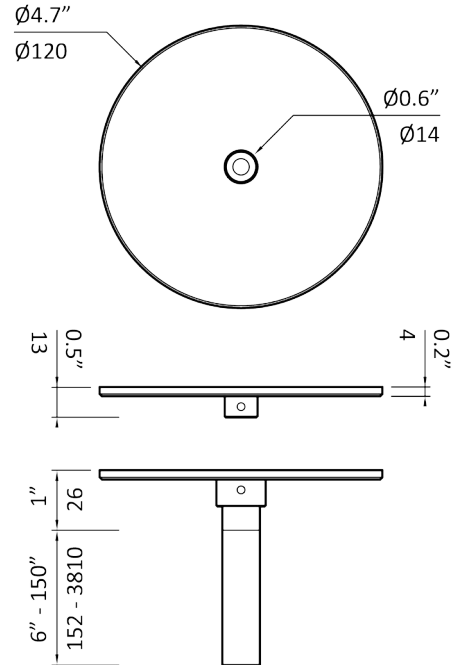
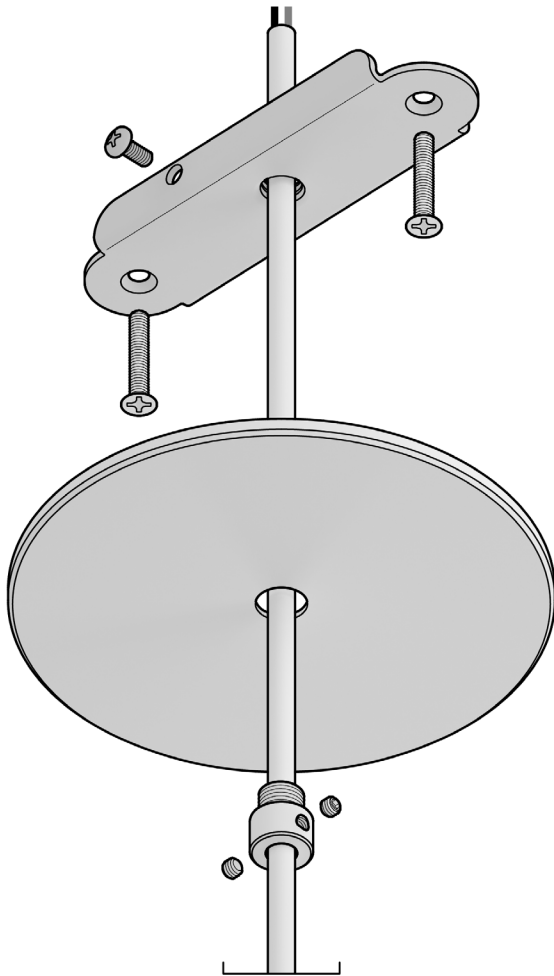


TWO PARTS

Notes _____



Canopy02 Single-Port Canopy

By Christo Logan

Part No (Finish)

C02-W-1P (White)
C02-K-1P (Black)

Certification

ETL Listed (UL & CSA Standards)
Damp Location
CE, RoHS

Canopy

Fixtures Supported: 1
Material: Aluminum
Color: White
Dims: $\varnothing 4 \frac{1}{2} \times H3/8$ in
Dims: $\varnothing 115 \times H9$ mm

Download CAD, Revit

<http://two.parts/canopy02>

Features

Low Profile
RigidStem01 optional

RigidStem01

By Christo Logan

Part No (Finish)

RS01-W (White)
RS01-K (Black)

Canopy

Fixtures Supported: 1
Material: Aluminum
Color: White
Diameter: 0.6 in / 16 mm
Length: 6" - 120" in 6" increments

TWO PARTS

Circuit Connector
(customer provided)
Must be UL/CSA/CE approved (US/Canada/
Europe) for applicable wire gauge

LED Driver
To be housed in accessible location
as near as possible to Fixture.

Circuit Connector
(customer provided)
Must be UL/CSA/CE approved
(US/Canada/Europe) for
applicable wire gauge

Ground Screw
Tighten around Ground Wire

Building Wires
(customer provided)

Internal Wires
Black+ White-

Crossbar

Flathead Screw

Canopy Cover

CANOPY02 INSTALL GUIDE

All components are included
unless otherwise noted.

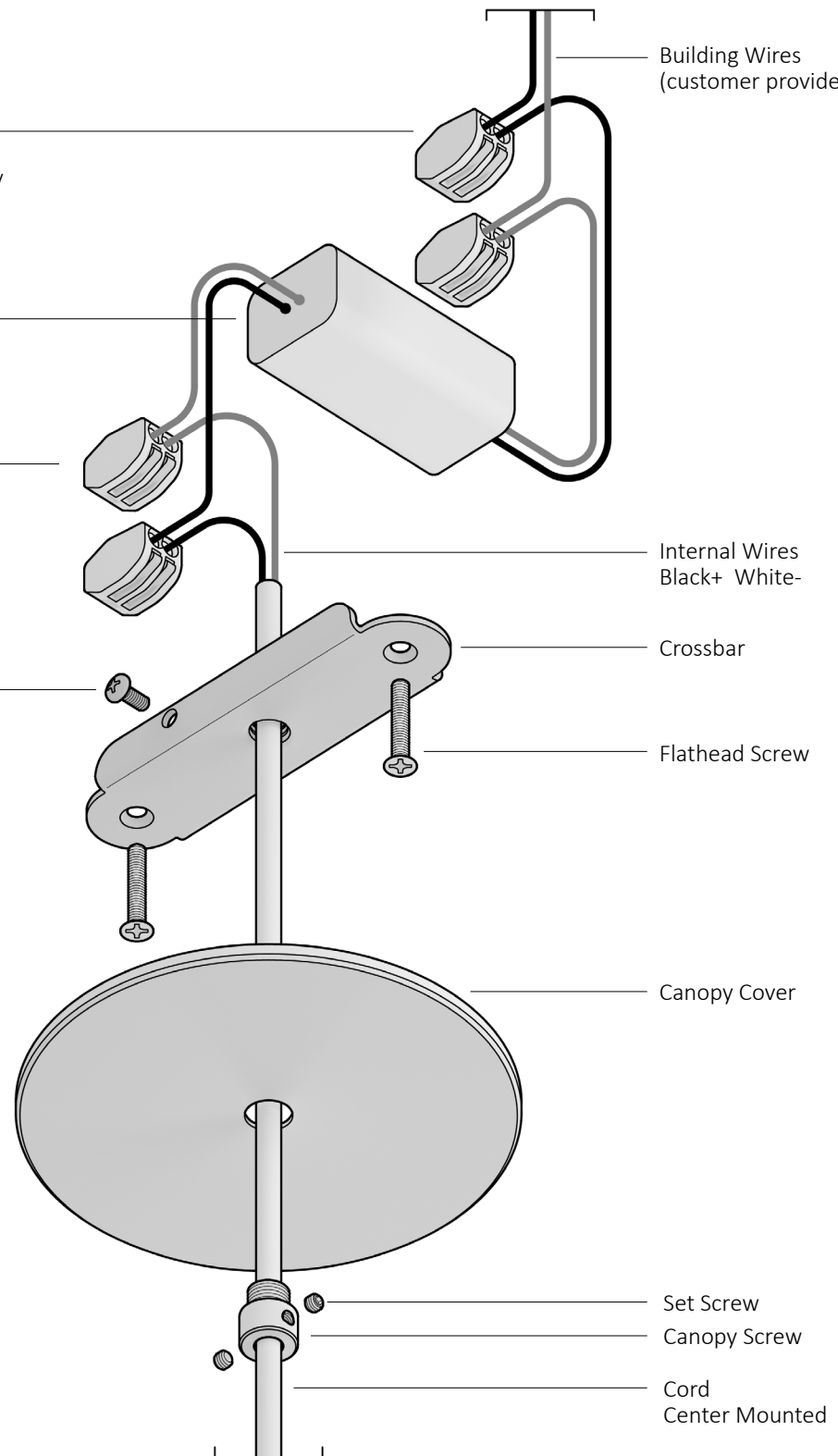
WARNING

Electric shock risk. Use
caution when installing. Turn
off electrical power at breaker
before installation. Installation
should be performed by a
qualified electrician only.

The installer must ensure
that the ceiling can support
fixture's weight and reinforce
ceiling structure by adequate
means if necessary.

MAINTENANCE

Wipe exposed surfaces with
dry cloth as needed.



INSTRUCTIONS

1 Cut Cord to desired
length, leaving 3" (70mm)
of exposed Internal Wires.
2 Thread Cord through
Canopy Screw, Canopy
Cover, and Crossbar.

3 Using code-compliant
Circuit Connectors, connect
Internal Wires to Driver and
Driver to Building Wires.
4 Screw Crossbar to ceiling
or outlet box.

5 Affix Canopy
Screw to Crossbar
with Canopy
Cover in between.
6 Tighten Set
Screws on Cord.

TWO PARTS

Circuit Connector
(customer provided)
Must be UL/CSA/CE approved (US/Canada/
Europe) for applicable wire gauge

LED Driver
To be housed in accessible location
as near as possible to Fixture.

Circuit Connector
(customer provided)
Must be UL/CSA/CE approved
(US/Canada/Europe) for
applicable wire gauge

Ground Screw
Tighten around Ground Wire

CANOPY02 + RIGIDSTEM01 INSTALL GUIDE

All components are included
unless otherwise noted.

WARNING

Electric shock risk. Use
caution when installing. Turn
off electrical power at breaker
before installation. Installation
should be performed by a
qualified electrician only.

The installer must ensure
that the ceiling can support
fixture's weight and reinforce
ceiling structure by adequate
means if necessary.

MAINTENANCE

Wipe exposed surfaces with
dry cloth as needed.

INSTRUCTIONS

1 Thread Strain Relief onto
cord at its base and tighten
Set Screw.

2 Screw together all Rigid
Stem Tubes as needed with
the RS Top Piece at the top.

3 Thread Cord through all Rigid
Stem tubes as well as Canopy
Screw, Canopy Cover, and Crossbar.

4 Cut Cord to desired length,
leaving 3" (100mm) of exposed
Internal Wires.

5 Using code-compliant Circuit
Connectors, connect Internal
Wires to Driver and Driver to
Building Wires.

6 Screw Crossbar to ceiling or
outlet box.

7 Affix Canopy Screw to
Crossbar with Canopy
Cover in between.

8 Affix Rigid Stem to
Canopy Screw using
Flathead Screws.

