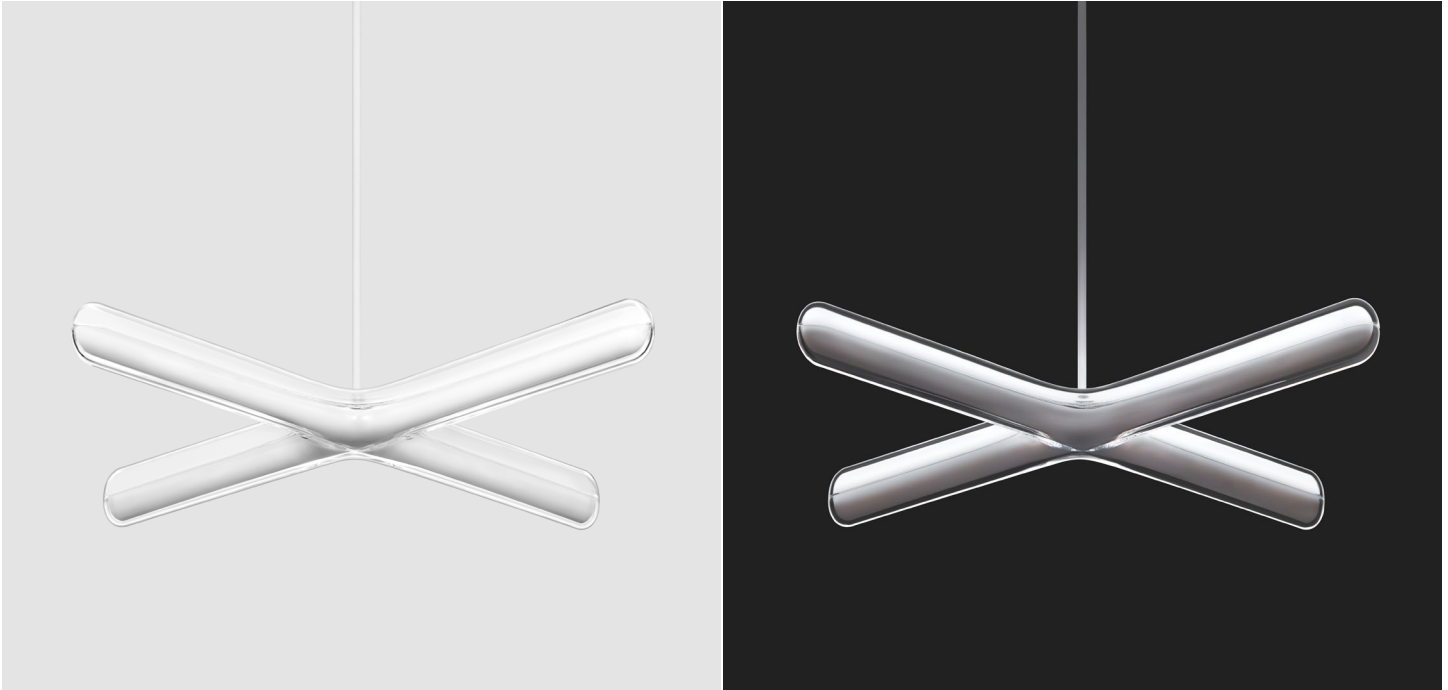


TWO PARTS Calcium Pendant

By Christo Logan

Notes _____



CAL - CW - - -
 1 2 (3)

1 : Light Temperature

- 27 : 2700K
- 30 : 3000K
- 35 : 3500K

2 : Qty Fixtures per Canopy / Driver

- 1 : 1 Fixture / 25W j-box
- 2 : 2 Fixtures / 25W j-box
- 3 : 3 Fixtures / 40W j-box
- 4 : 4 Fixtures / 90W remote
- 5 : 5 Fixtures / 90W remote
- 6 : 6 Fixtures / 90W remote
- 7 : 7 Fixtures / 120W remote

3 optional : Rigid Stem Length

6 - 120 in 6" increments

*Only when one (1) Fixture per Canopy

Description

Indoor Pendant Fixture: Indirect
Material: Acrylic + Polycarbonate

Fixture

Flexible Cord Color: White
Max Cord Length: 20 ft / 6 m
Swag Hook: White
Rigid Stem (opt'l): 6" - 150"

LED

Power: 11W each
Voltage: 12V DC CV
Output: 800 lm each
User replaceable: No
Life Expectancy: 50,000 hours
Color Accuracy: CRI 95+, R9 90+

Warranty

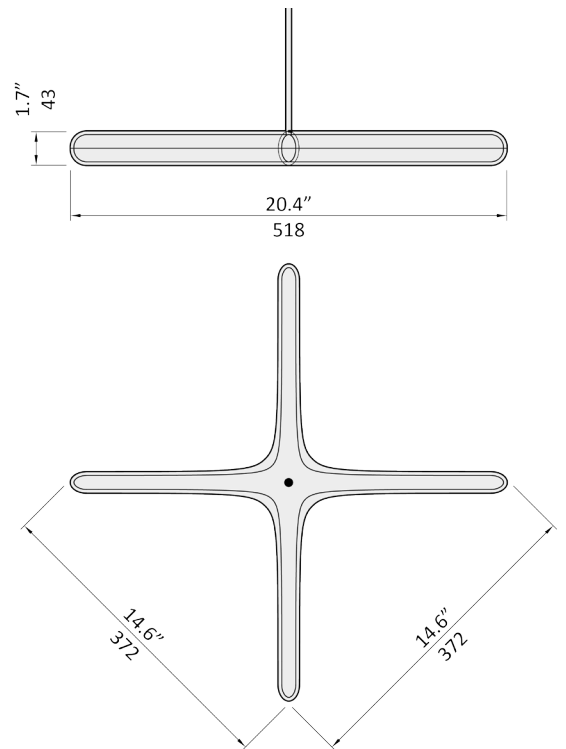
Fixture: 5 years / Driver: 3 years

Compliance

ETL Listed (UL + CSA Standards)
Damp Location
RoHS

Viewing Angle

Viewable from any angle



Download CAD, Revit, IES

<http://two.parts/calcium>

TWO PARTS Driver 10/25/40

By LTF LLC

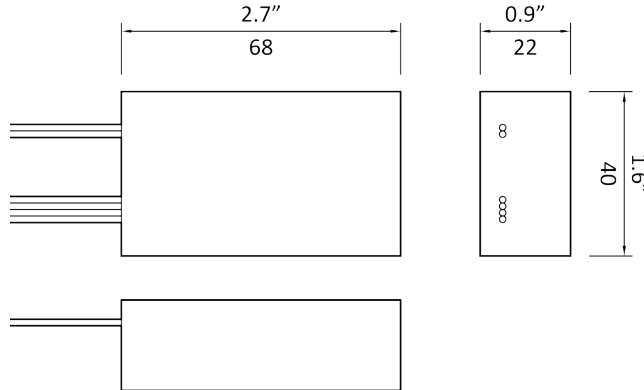
Notes _____

D10W12V-UI-UD

Power: 10W
Max Current: 833mA

Manufacturer Part
LTF DS10W12VMB1UD

Dimensions
2.7 x 1.6 x 0.9 in
68 x 40 x 22 mm



Description

Dimmable Low Voltage LED Driver

Features

Fits in most Junction Boxes
Auto-reset, Short Circuit,
Overload and Thermal
Protection

Warranty

3 year limited warranty

Input

Voltage: 100-305V AC
Frequency: 50/60Hz

Output

Type: Constant Voltage
Voltage: 12V DC

Specs

Dimming: Triac, ELV, 0-10V
Class: Class 2 Power Supply
IP Rating: IP67
Humidity: 95% RH Max

Certification

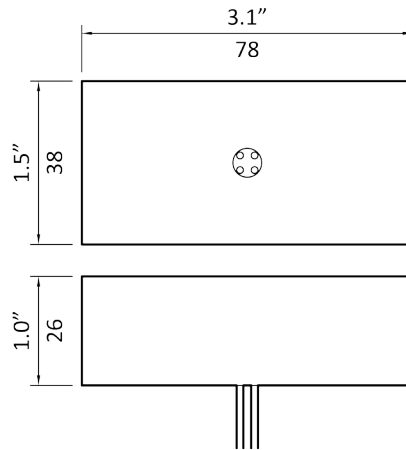
UL8750, UL1310
CE, RoHS
FCC Part 15 Class B
Compliant

D25W12V-UI-UD

Power: 25W
Max Current: 2083mA

Manufacturer Part
LTF DS25W12VBF1UD

Dimensions
3.1 x 1.5 x 1.0 in
78 x 38 x 26 mm

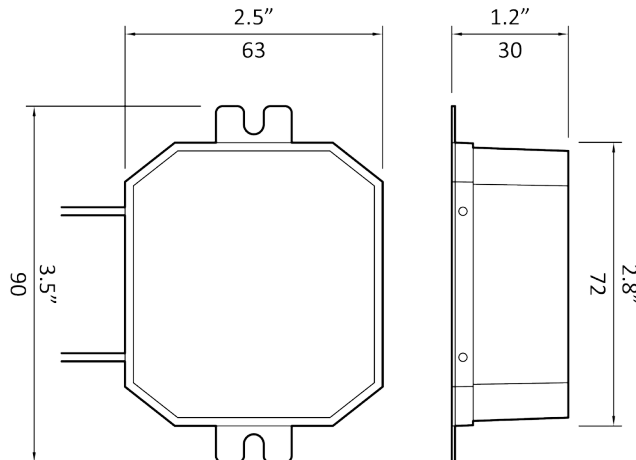


D40W12V-UI-UD

Power: 40W
Max Current: 3333mA

Manufacturer Part
LTF DS40W12VOCUD

Dimensions
3.5 x 2.5 x 1.2 in
90 x 63 x 30 mm



TWO PARTS Driver 90/120/200

By Mean Well

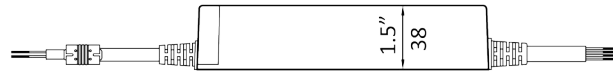
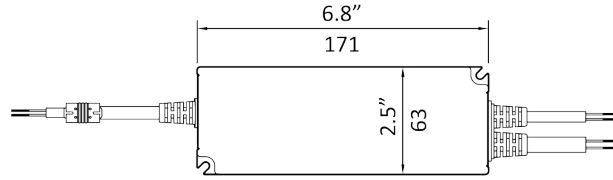
Notes _____

PWM-90-12

Power: 90W
Max Current: 7.5A

Manufacturer Part
Mean Well PWM-200-12

Dimensions
6.8 x 2.5 x 1.5 in
171 x 63 x 37.5 mm



Description

Dimmable Low Voltage LED Driver

Features

Protections: short circuit, over load, over voltage, over temperature

Warranty

3 year limited warranty

Input

Voltage: 100-305V AC
Frequency: 50/60Hz

Output

Type: Constant Voltage
Voltage: 12V DC

Specs

Dimming: 0-10V, 10V PWM
IP Rating: IP67
Humidity: 95% RH Max

Certification

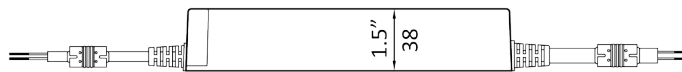
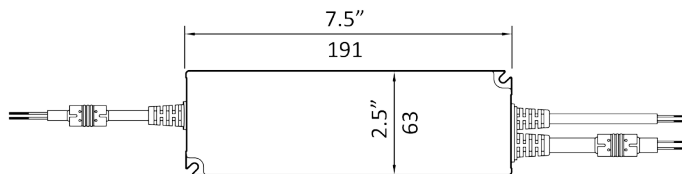
UL8750
CSA C22.2 No. 250.13-12

PWM-120-12

Power: 120W
Max Current: 2083mA

Manufacturer Part
Mean Well PWM-200-12

Dimensions
3.1 x 1.5 x 1.0 in
78 x 38 x 26 mm

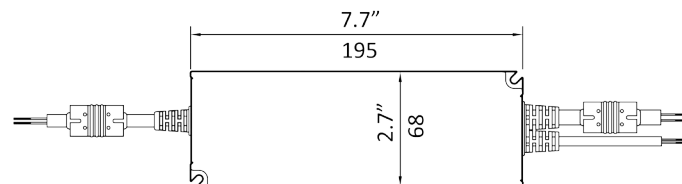


PWM-200-12

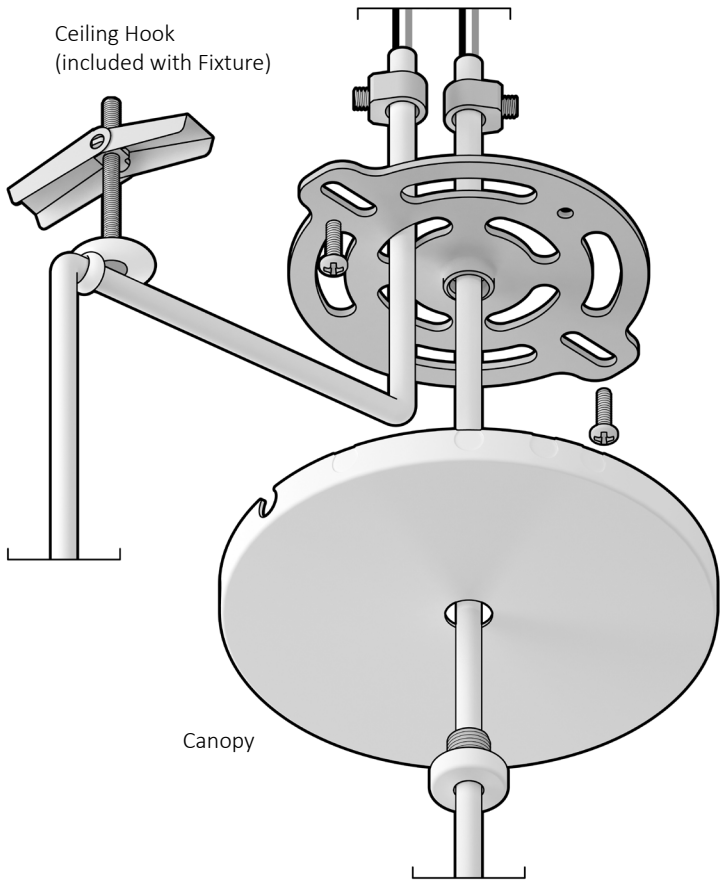
Power: 200W
Max Current: 3333mA

Manufacturer Part
Mean Well PWM-200-12

Dimensions
3.5 x 2.5 x 1.2 in
90 x 63 x 30 mm



TWO PARTS

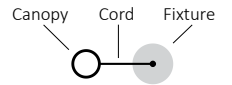


Center & Side Mounted

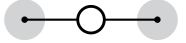
Side Mounted Only



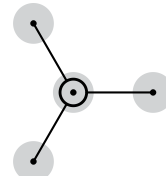
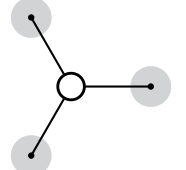
1



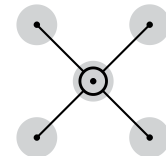
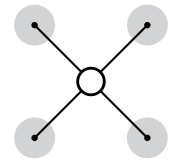
2



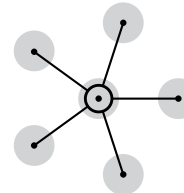
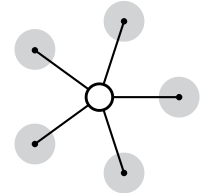
3



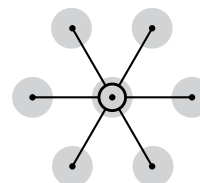
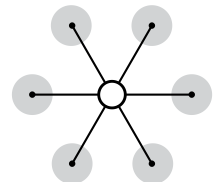
4



5



6



7 Fixtures

Canopy01 Multi-Port Canopy

By Christo Logan

Part No (Finish)

C01-W-7P (White)

C01-K-7P (Black)

Canopy

Fixtures Supported: 1- 7

Material: Steel

Color: White

Dims: \varnothing 4 1/2 x H3/8 in

Dims: \varnothing 115 x H9 mm

Features

Low Profile

No exposed screws

Side port knockouts

Center port cap

Ceiling Hook

Included with Fixture

Screw size: #8 or M4 flathead

Material: Steel

Color: White

Dims: \varnothing 0.8 x H0.4 in

Dims: \varnothing 20 x H11 mm

Certification

ETL Listed (UL & CSA Standards)

Damp Location

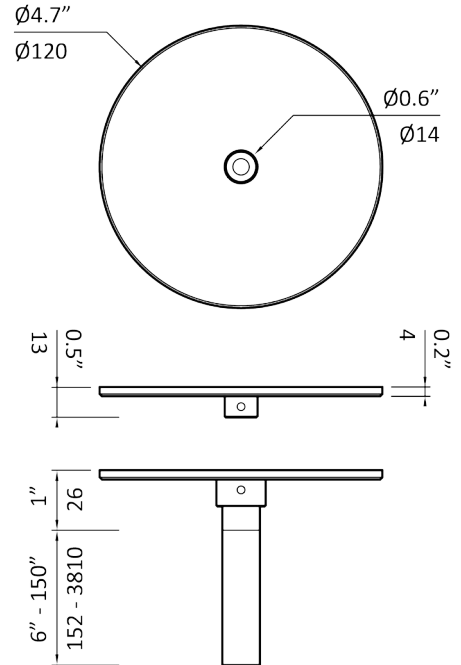
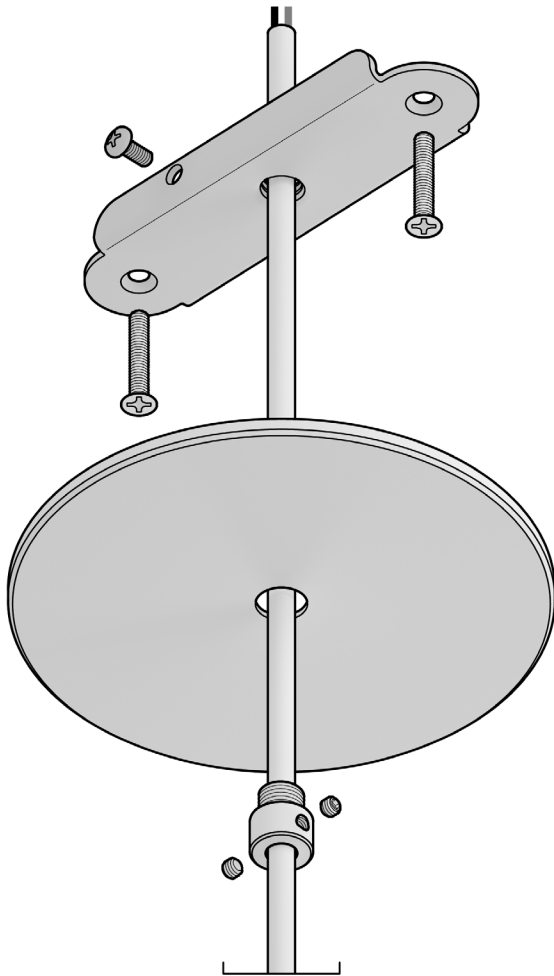
CE, RoHS

Download CAD, Revit

<http://two.parts/canopy01>

TWO PARTS

Notes _____



Canopy02 Single-Port Canopy

By Christo Logan

Part No (Finish)

C02-W-1P (White)
C02-K-1P (Black)

Certification

ETL Listed (UL & CSA Standards)
Damp Location
CE, RoHS

Canopy

Fixtures Supported: 1
Material: Aluminum
Color: White
Dims: $\varnothing 4 \frac{1}{2} \times H3/8$ in
Dims: $\varnothing 115 \times H9$ mm

Download CAD, Revit

<http://two.parts/canopy02>

Features

Low Profile
RigidStem01 optional

RigidStem01

By Christo Logan

Part No (Finish)

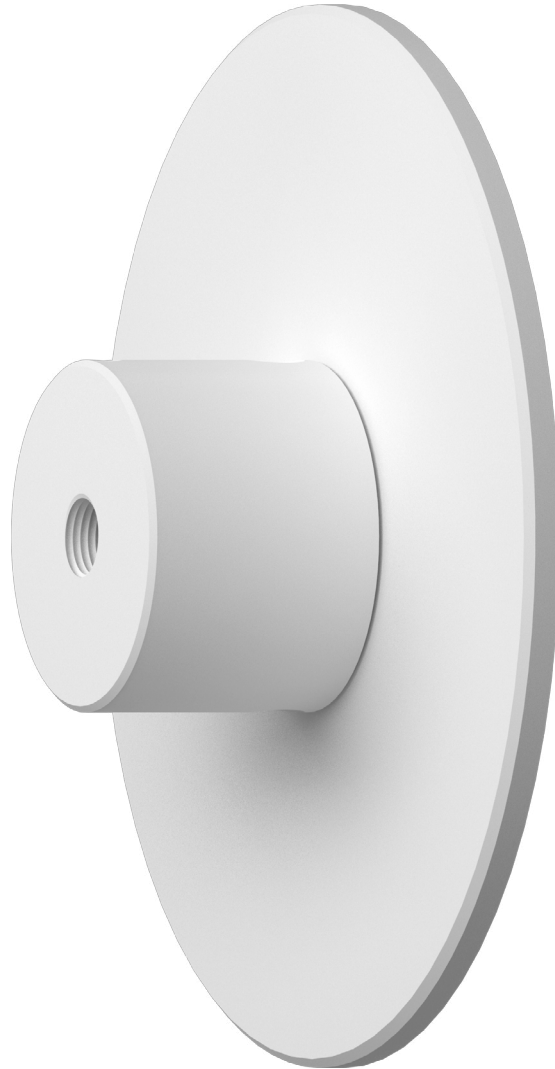
RS01-W (White)
RS01-K (Black)

Canopy

Fixtures Supported: 1
Material: Aluminum
Color: White
Diameter: 0.6 in / 16 mm
Length: 6" - 120" in 6" increments

TWO PARTS

Notes _____



Surface Mount01

By Christo Logan

Part No (Finish)

M01-B (Brushed Metal)
M01-W (Matte White)

Surface Mount

Fixtures Supported: 1
Material: Aluminum
Dims: $\varnothing 4.5$ x H1.3 in
Dims: $\varnothing 120$ x H34 mm

Features

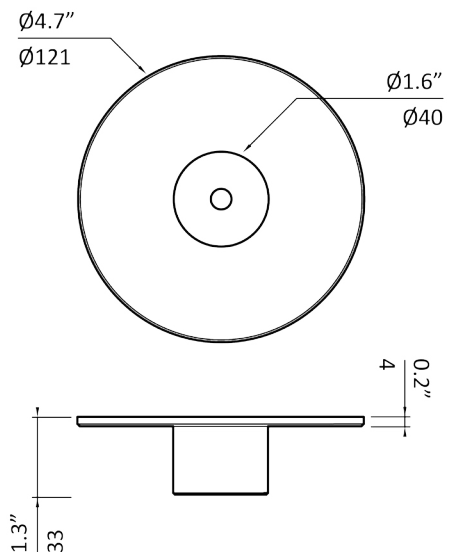
Low Profile
Sconce ADA compliant

Download CAD, Revit

<http://two.parts/mount01>

Compatibility

Calcium, Carbon, Lithium



TWO PARTS

Circuit Connector
(customer provided)
Must be UL/CSA/CE approved (US/Canada/
Europe) for applicable wire gauge

LED Driver
To be housed in accessible location
as near as possible to Fixture.

Circuit Connector
(customer provided)
Must be UL/CSA/CE approved
(US/Canada/Europe) for
applicable wire gauge

Anchor
Hole \varnothing : 9/16" or 15mm

Ceiling Hook
Use #8 or M4 flathead
screw located 1/2" or
13mm shy of fixture
location

Cord
Side Mounted

Side Port Knockout

Building Wires
(customer provided)

Internal Wires
Black+ White-
Multiple Fixtures to be wired
in parallel to a single Driver

Cord Grip
Tighten screw to
ensure cord cannot
move

Ground Screw
Tighten around
Ground Wire

Screw
(customer provided)

Canopy

Center Port

Canopy Screw

Cord
Center Mounted

CANOPY01 INSTALL GUIDE

All components are included
unless otherwise noted.

WARNING

Electric shock risk. Use caution
when installing. Turn off
electrical power at breaker
before installation. Installation
should be performed by a
qualified electrician only.

The installer must ensure that
the ceiling can support fixture's
weight and reinforce ceiling
structure by adequate means if
necessary.

MAINTENANCE

Wipe exposed surfaces with
dry cloth as needed.

INSTRUCTIONS

1A Center Mount Remove cap
from Canopy Screw.

1B Side Mount Install Ceiling
Hook(s) with loop facing away
from canopy. Knock out side
port(s) according to cluster
configuration.

2 Cut each Cord to desired
length, leaving 3" (70mm) of
exposed Internal Wires.

3A Center Mount Thread
Cord through Canopy Screw,
Canopy, Crossbar and Cord
Grip.

3B Side Mount Thread Cord
through Ceiling Hook, Crossbar
and Cord Grip.

4 Secure Cord Grip onto each
Cord with 1/2" (10mm) of Cord
left above.

5 Using Circuit Connectors
appropriate to local building
code, connect Internal Wires
to Driver and connect Driver to
Building Wires.

6 Screw Crossbar to ceiling or
outlet box.

7 Affix Canopy Screw to
Crossbar with Canopy in
between.

TWO PARTS

Circuit Connector
(customer provided)
Must be UL/CSA/CE approved (US/Canada/
Europe) for applicable wire gauge

LED Driver
To be housed in accessible location
as near as possible to Fixture.

Circuit Connector
(customer provided)
Must be UL/CSA/CE approved
(US/Canada/Europe) for
applicable wire gauge

Ground Screw
Tighten around Ground Wire

Building Wires
(customer provided)

Internal Wires
Black+ White-

Crossbar

Flathead Screw

Canopy Cover

CANOPY02 INSTALL GUIDE

All components are included
unless otherwise noted.

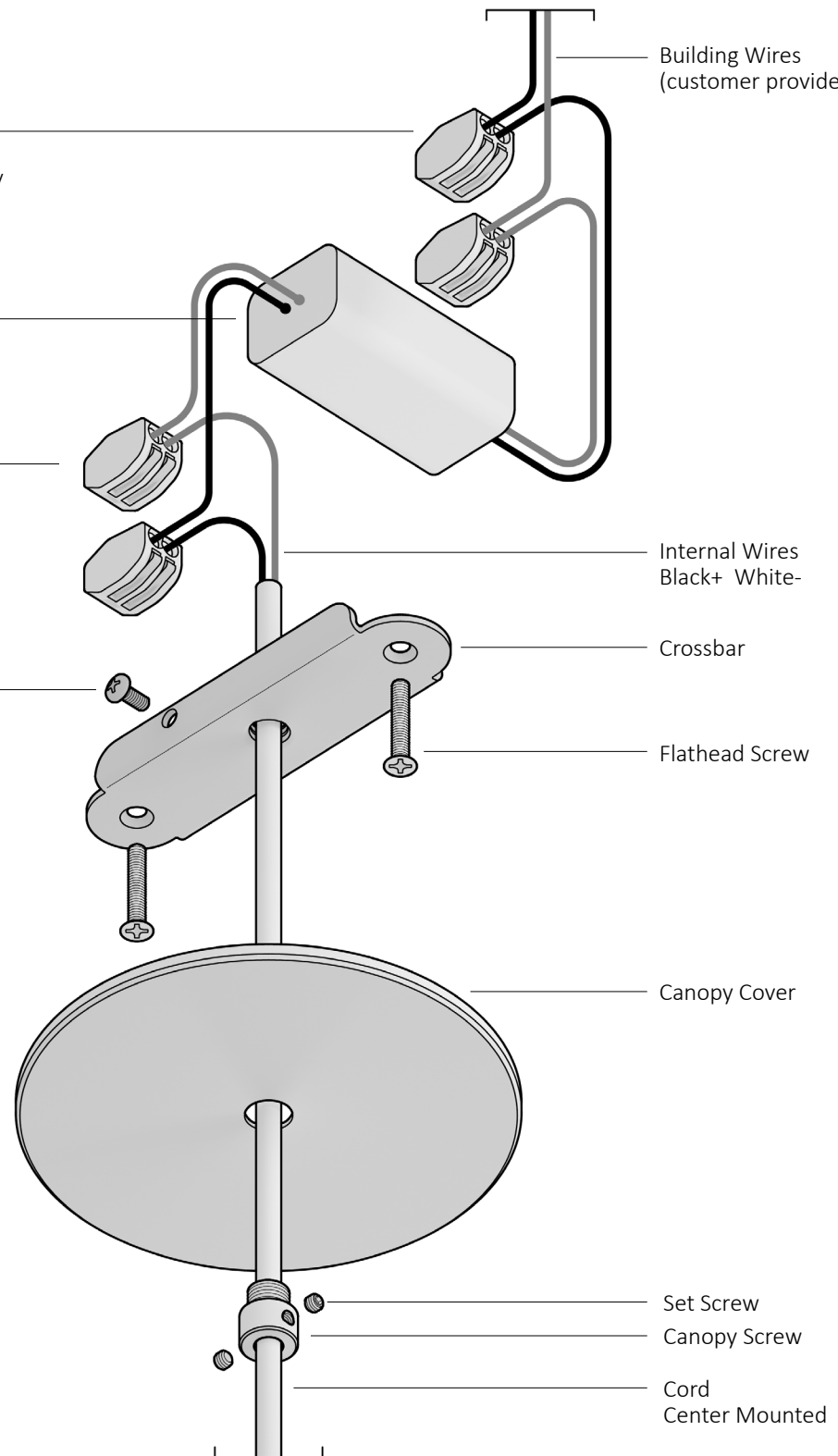
WARNING

Electric shock risk. Use
caution when installing. Turn
off electrical power at breaker
before installation. Installation
should be performed by a
qualified electrician only.

The installer must ensure
that the ceiling can support
fixture's weight and reinforce
ceiling structure by adequate
means if necessary.

MAINTENANCE

Wipe exposed surfaces with
dry cloth as needed.



INSTRUCTIONS

1 Cut Cord to desired
length, leaving 3" (70mm)
of exposed Internal Wires.
2 Thread Cord through
Canopy Screw, Canopy
Cover, and Crossbar.

3 Using code-compliant
Circuit Connectors, connect
Internal Wires to Driver and
Driver to Building Wires.
4 Screw Crossbar to ceiling
or outlet box.

5 Affix Canopy
Screw to Crossbar
with Canopy
Cover in between.
6 Tighten Set
Screws on Cord.

TWO PARTS

Circuit Connector
(customer provided)
Must be UL/CSA/CE approved (US/Canada/
Europe) for applicable wire gauge

LED Driver
To be housed in accessible location
as near as possible to Fixture.

Circuit Connector
(customer provided)
Must be UL/CSA/CE approved
(US/Canada/Europe) for
applicable wire gauge

Ground Screw
Tighten around Ground Wire

CANOPY02 + RIGIDSTEM01 INSTALL GUIDE

All components are included
unless otherwise noted.

WARNING

Electric shock risk. Use
caution when installing. Turn
off electrical power at breaker
before installation. Installation
should be performed by a
qualified electrician only.

The installer must ensure
that the ceiling can support
fixture's weight and reinforce
ceiling structure by adequate
means if necessary.

MAINTENANCE

Wipe exposed surfaces with
dry cloth as needed.

INSTRUCTIONS

1 Thread Strain Relief onto
cord at its base and tighten
Set Screw.

2 Screw together all Rigid
Stem Tubes as needed with
the RS Top Piece at the top.

3 Thread Cord through all Rigid
Stem tubes as well as Canopy
Screw, Canopy Cover, and Crossbar.

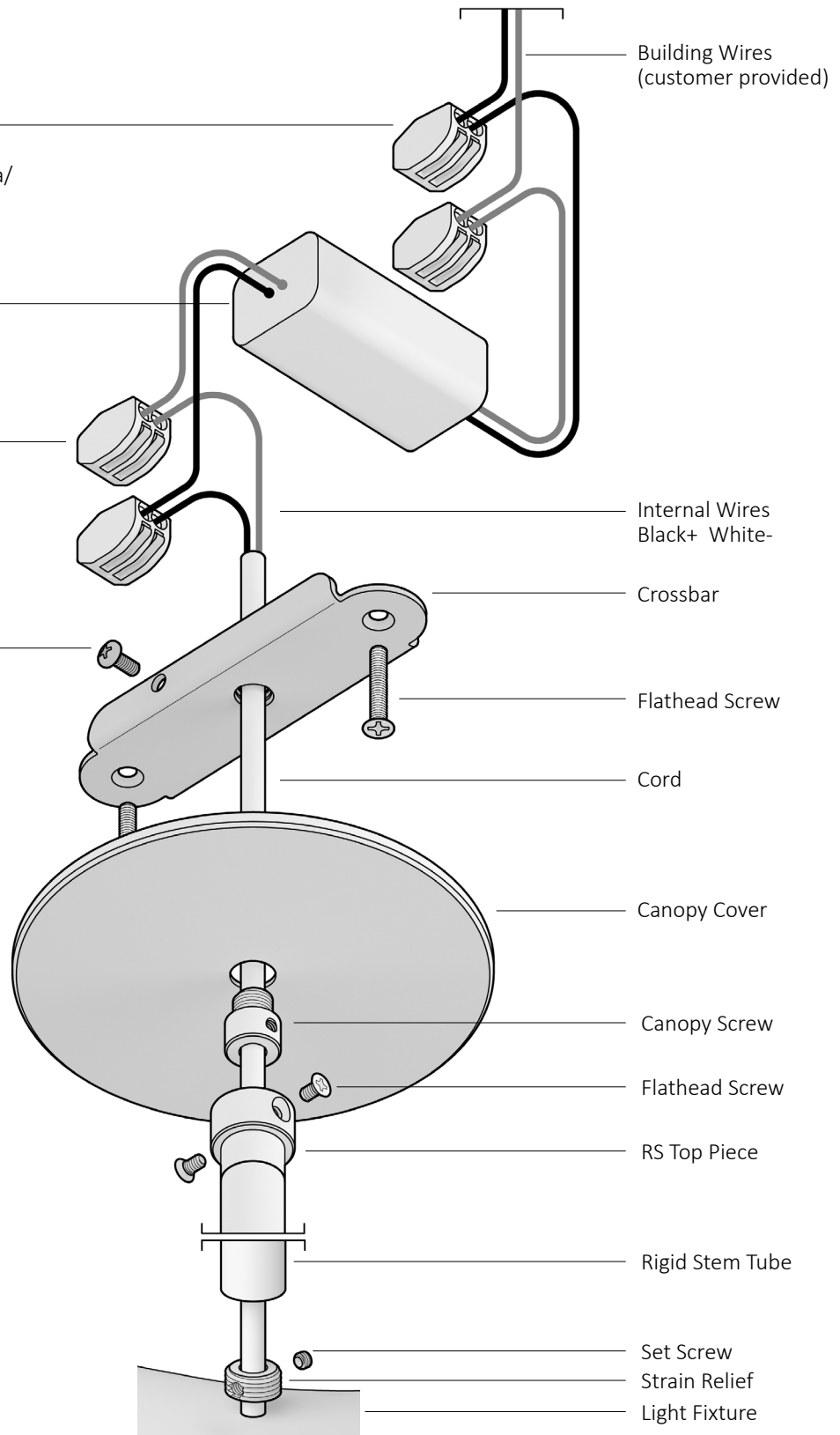
4 Cut Cord to desired length,
leaving 3" (100mm) of exposed
Internal Wires.

5 Using code-compliant Circuit
Connectors, connect Internal
Wires to Driver and Driver to
Building Wires.

6 Screw Crossbar to ceiling or
outlet box.

7 Affix Canopy Screw to
Crossbar with Canopy
Cover in between.

8 Affix Rigid Stem to
Canopy Screw using
Flathead Screws.



TWO PARTS

SURFACE MOUNT01 INSTALL GUIDE

All components drawn are included unless otherwise noted.

WARNING

Electric shock risk. Use caution when installing. Turn off electrical power at breaker before installation. Installation should be performed by a qualified electrician only.

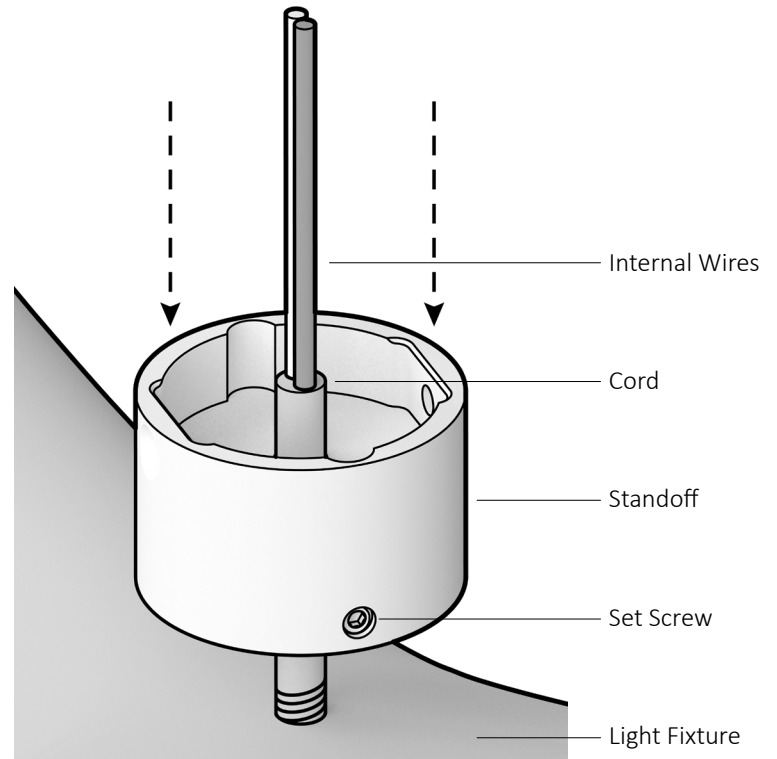
The installer must ensure that the ceiling can support fixture's weight and reinforce ceiling structure by adequate means if necessary.

MAINTENANCE

Wipe exposed surfaces with dry cloth as needed.

INSTRUCTIONS

- 1 Cut Cord to 4" (100mm) in length and strip 2" (50mm) of white cord cover to expose Internal Wires.
- 2 Insert Cord into Standoff and screw Standoff onto Light Fixture.
- 3 Tighten Set Screw using included Allen Key.



- 4 Using Circuit Connectors appropriate to local building code, connect Driver Wires to Building Wires.
- 5 Screw Crossbar to outlet box or wall.
- 6 Place Cover Plate over Crossbar and pull Driver Wires through center opening.
- 7 Using Circuit Connectors appropriate to local building code, connect Internal Wires to Driver Wires.
- 8 Screw Standoff to Crossbar Tabs.

